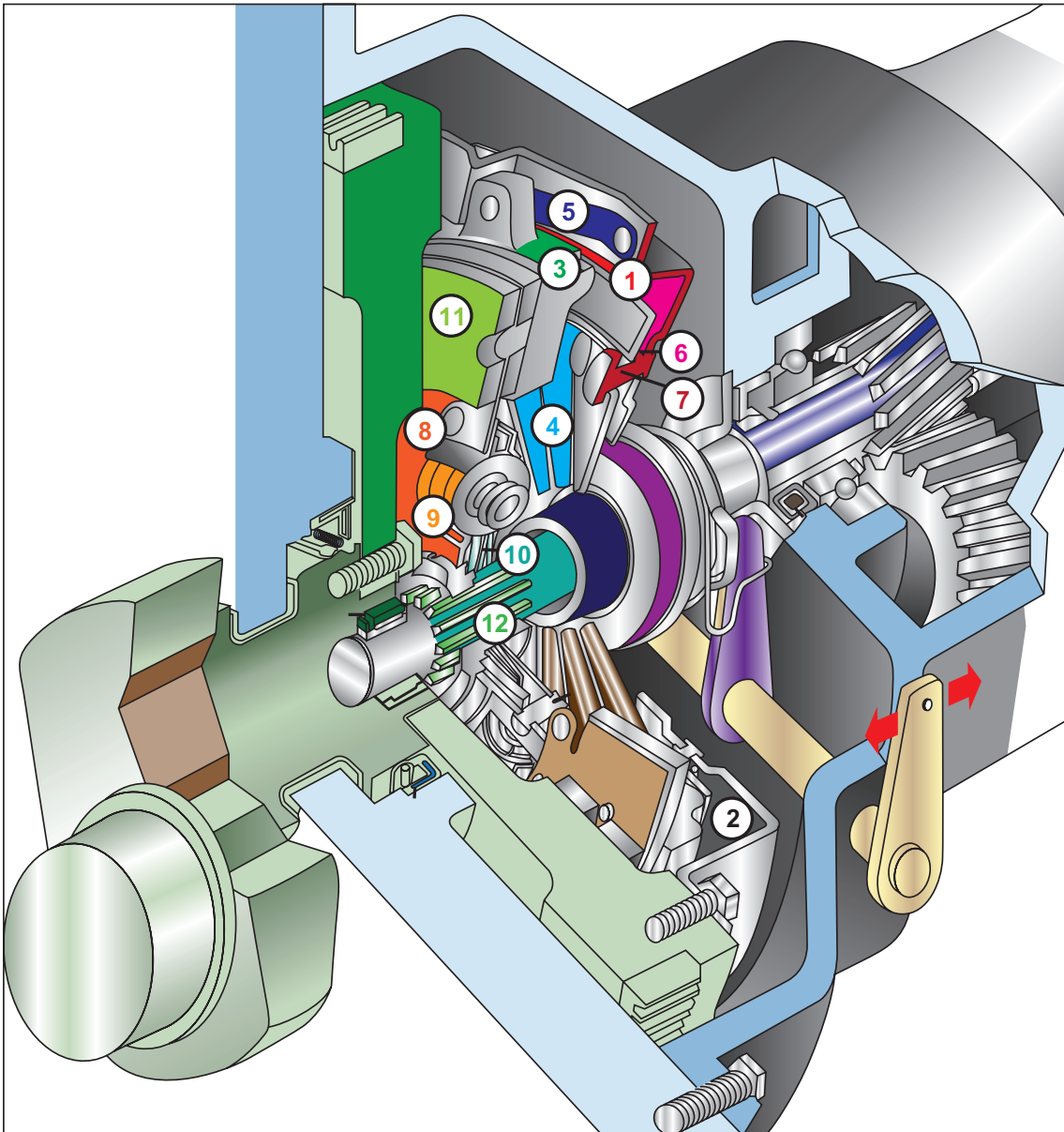




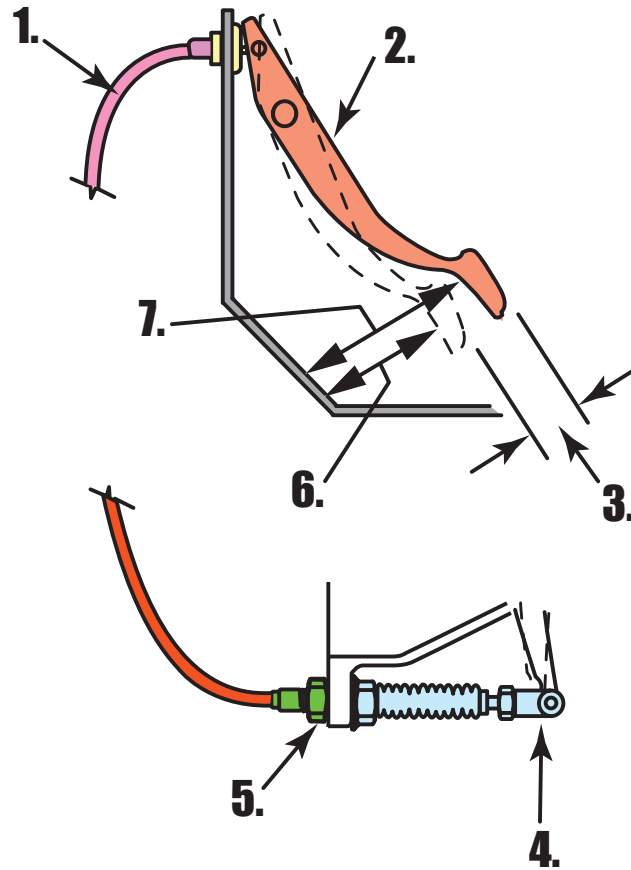
## A3 Part ID Worksheet Clutch Assembly



- ① CLUTCH PRESSURE PLATE
- ② CLUTCH COVER
- ③ PRESSURE PLATE
- ④ DIAPHRAGM SPRING
- ⑤ LEAF SPRINGS/STRAPS
- ⑥ PIVOT RING

- ⑦ DIAPHRAGM RIVET
- ⑧ DISC PLATE
- ⑨ TORSION DAMPER
- ⑩ FRICTION DEVICE
- ⑪ CLUTCH FANG
- ⑫ HUB

## A3 Part ID Worksheet Clutch Cable Operation & Adjustment



1. CLUTCH CABLE HOUSING

5. CUTCH CABLE ADJUSTING NUT

2. CLUTCH PEDAL

6. DISENGAGEMENT HEIGHT

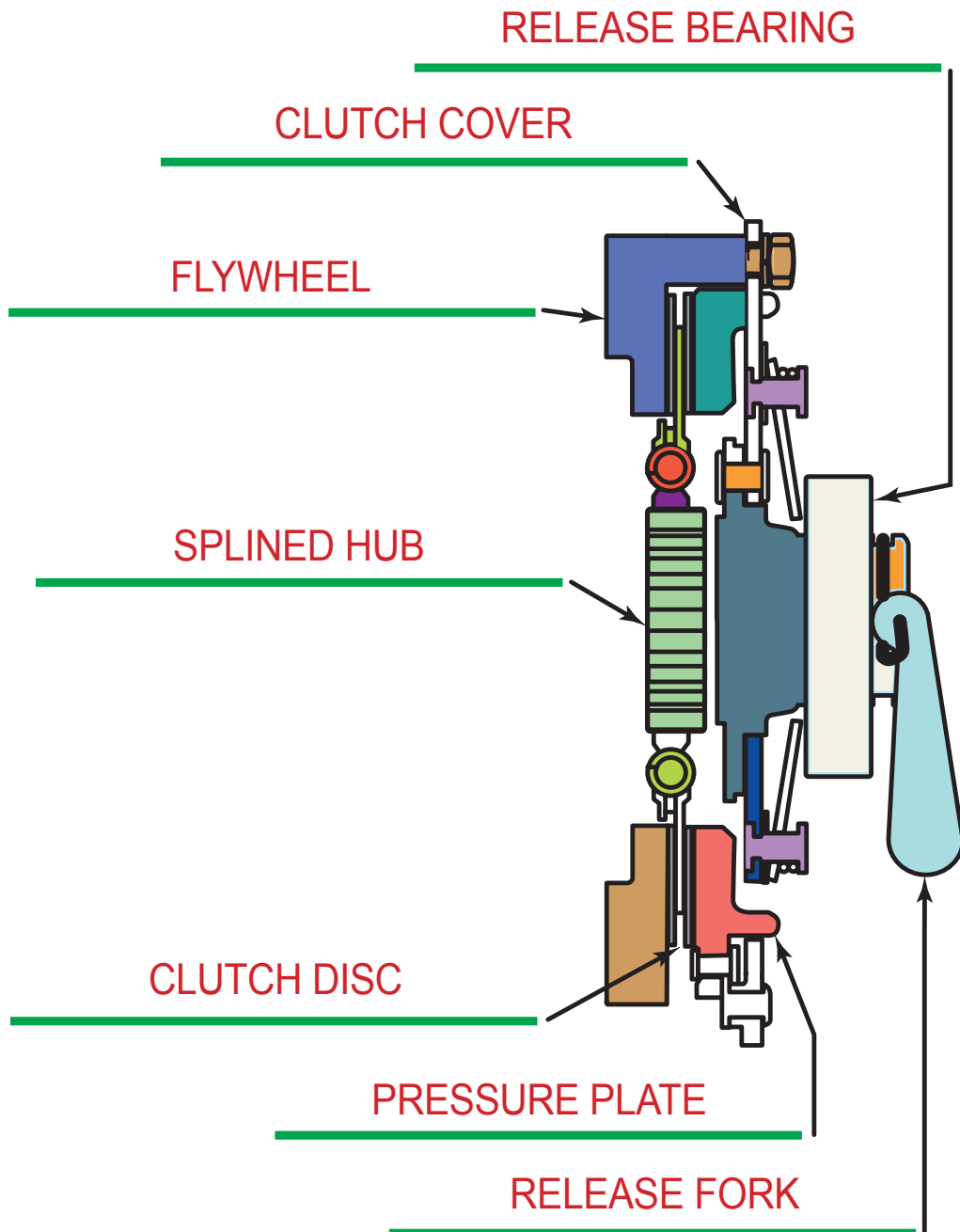
3. FREE TRAVEL

7. PEDAL FREE HEIGHT

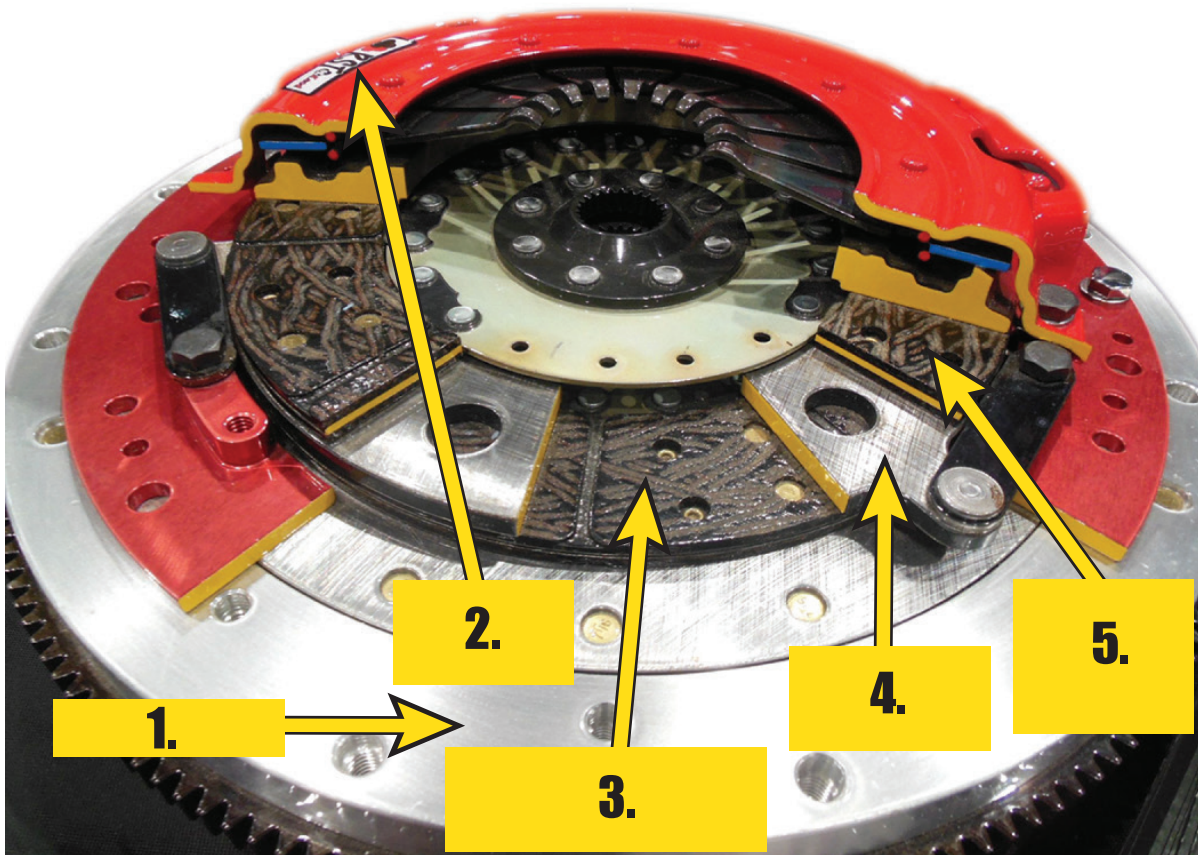
4. FREE PLAY

## A3 Part ID Worksheet

### Clutch Cover Pressure Plate Assembly



## A3 Part ID Worksheet Double Disc Clutch Assembly



1. FLYWHEEL

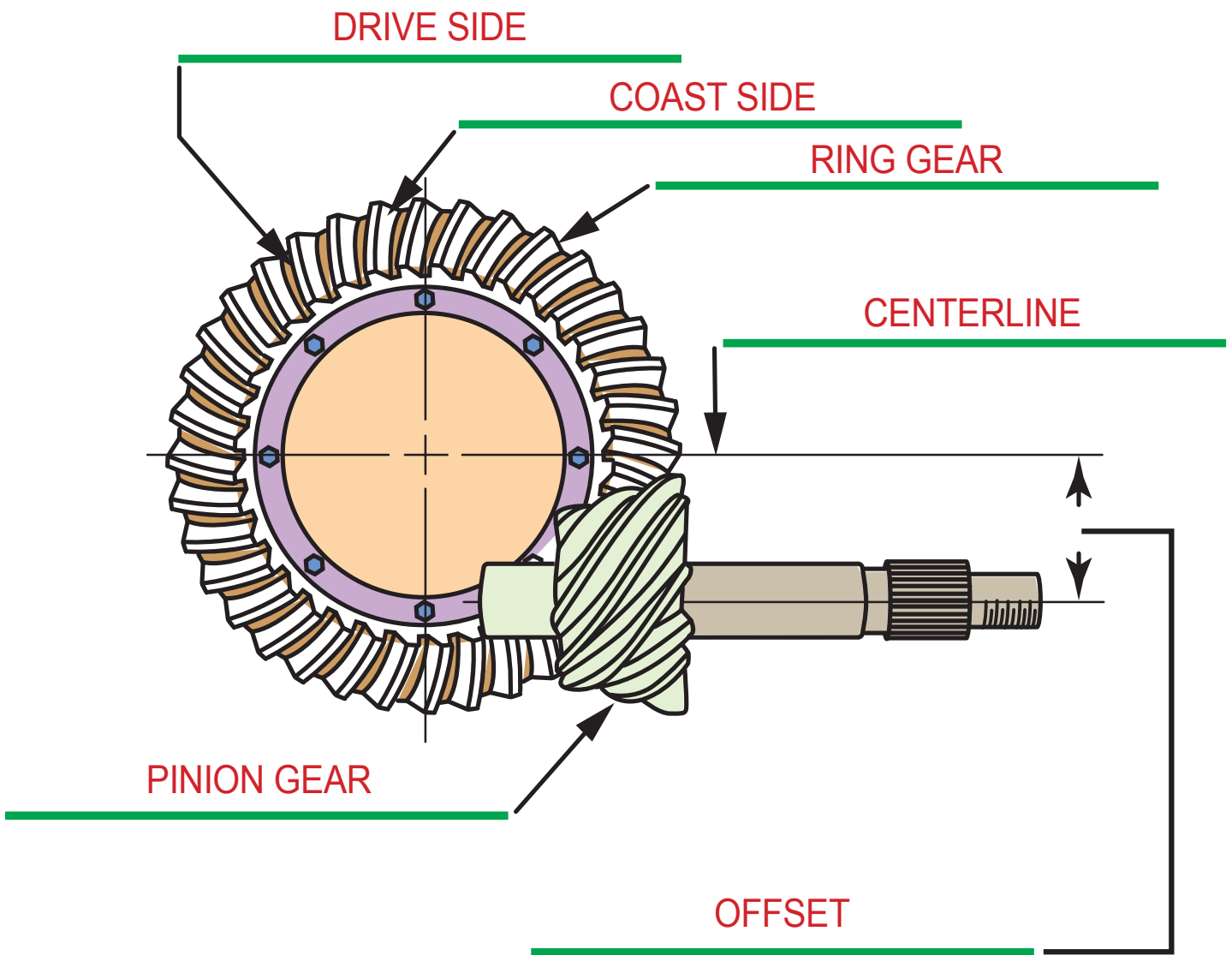
2. CLUTCH COVER

3. FRONT CLUTCH DISC

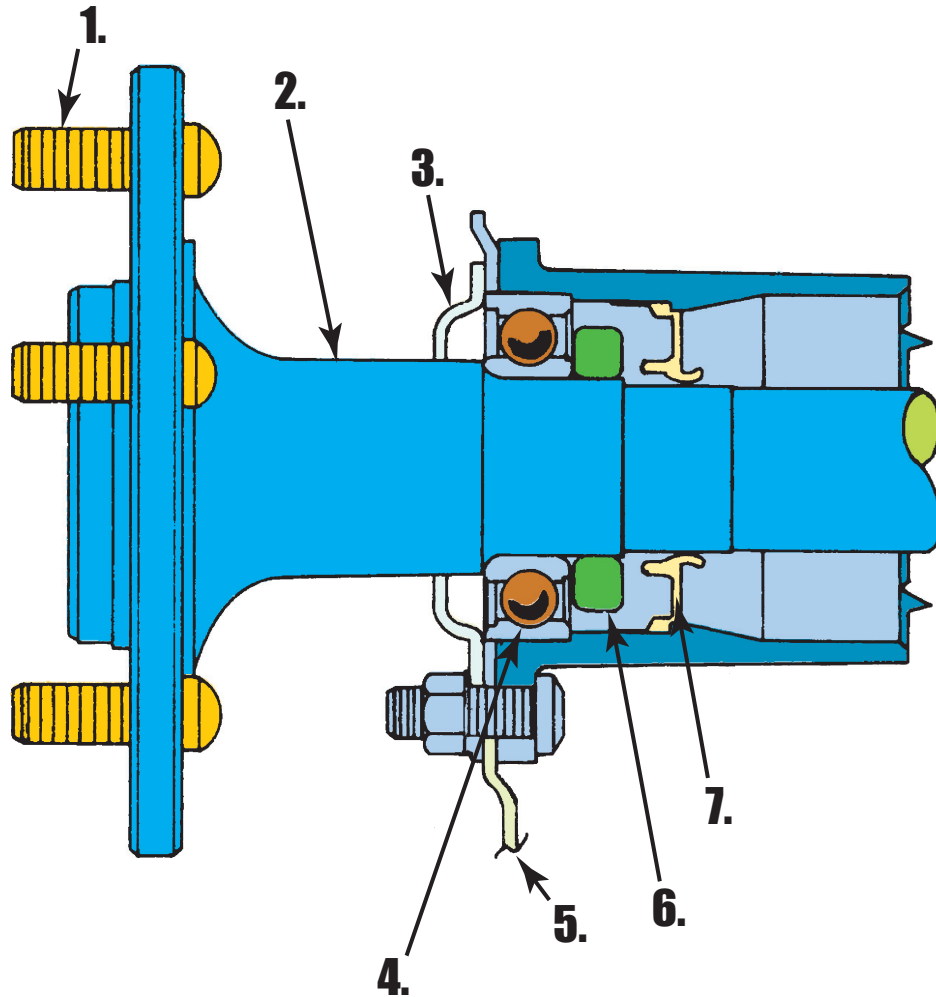
4. FLOATER PLATE

5. REAR CLUTCH DISC

## A3 Part ID Worksheet Hypoid Gearset



## A3 Part ID Worksheet Rear Axle Bearing



1. WHEEL STUD

2. AXLE SHAFT

3. RETAINER PLATE

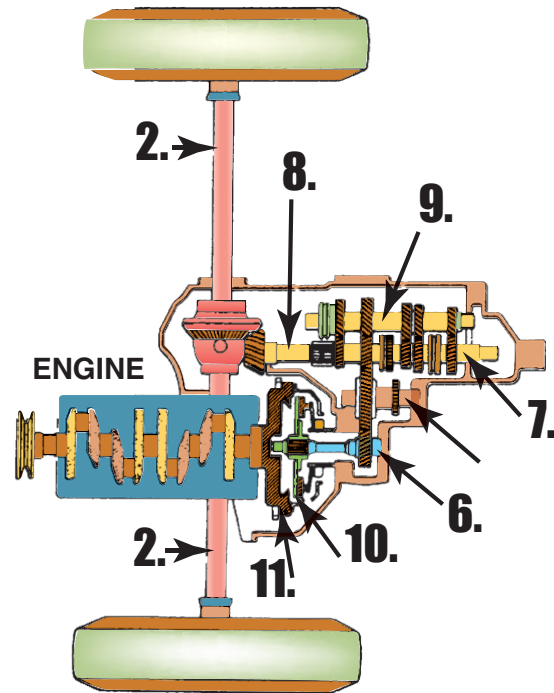
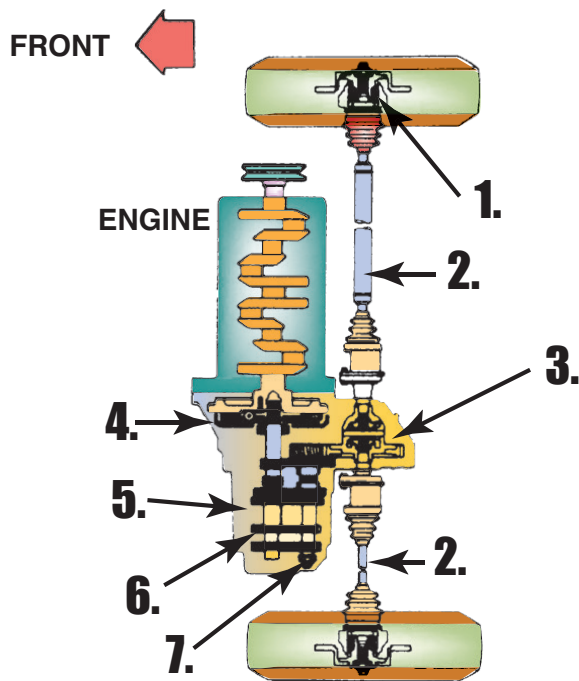
4. WHEEL BEARING

5. BRAKE BACKING PLATE

6. BEARING RETAINER RING

7. GREASE SEAL

## A3 Part ID Worksheet Transverse Engines



1. FRONT AXLE

2. DRIVESHAFT

3. DIFFERENTIAL

4. CLUTCH

5. TRANSAXLE

6. INPUT SHAFT

7. OUTPUT SHAFT

8. DRIVE PINION

9. COUNTER GEAR

10. CLUTCH DISC

11. FLYWHEEL