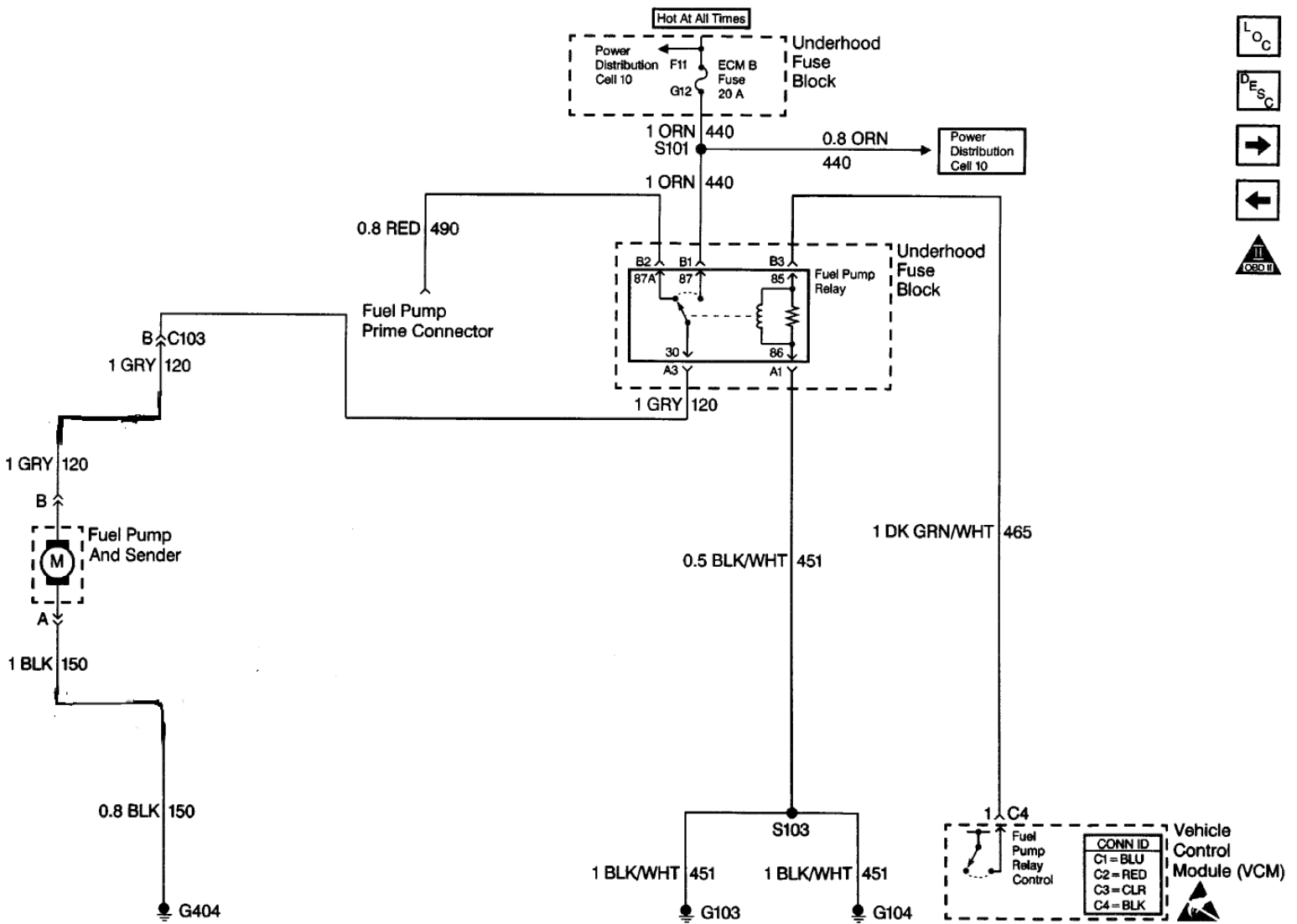


FUEL PUMP CONTROL (5-PIN)



LOC

DESC

