

Series-Parallel Circuit Worksheet #3

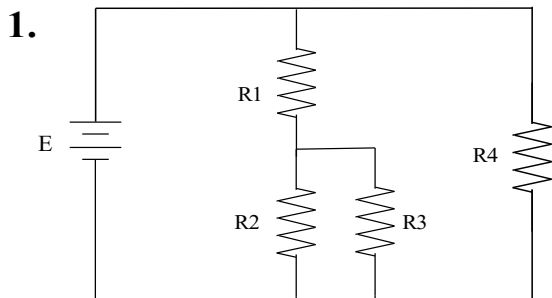
Meets ASE Task: A6 – A-4 – P-1

Name: _____ Date: _____ Time on Task: _____

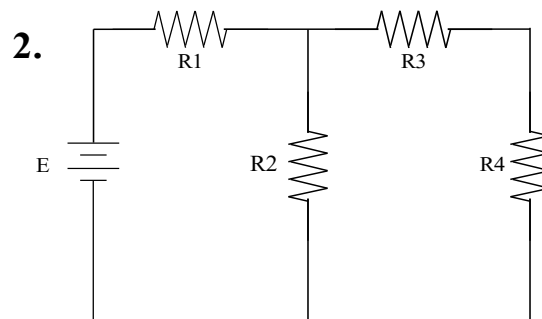
Make/Model/Year: _____ VIN: _____

Evaluation (Enter number from 4, 3, 2, 1) : _____

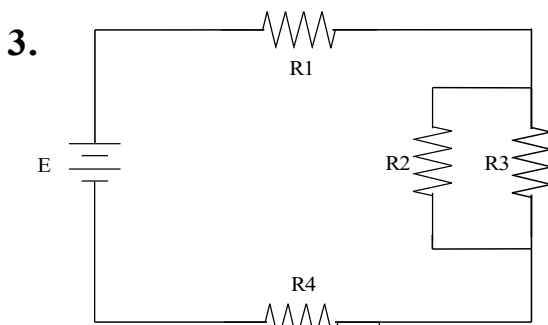
1. Determine the missing value for each series-parallel circuit.



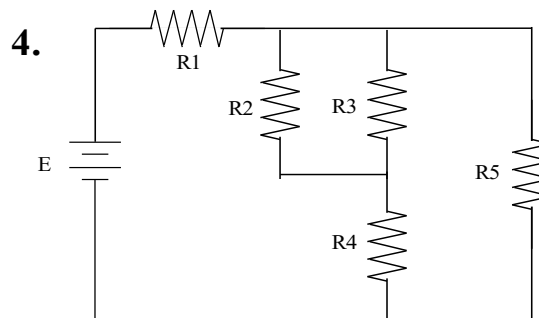
$E = 12 \text{ volts}$ $R2 = 12 \text{ ohms}$
 $I_T = 2 \text{ amperes}$ $R3 = \underline{\hspace{2cm}}$
 $R1 = 6 \text{ ohms}$ $R4 = 12 \text{ ohms}$



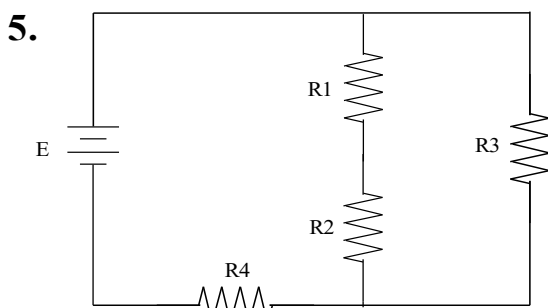
$E = 24 \text{ volts}$ $R2 = 8 \text{ ohms}$
 $I_T = \underline{\hspace{2cm}}$ $R3 = 4 \text{ ohms}$
 $R1 = 2 \text{ ohms}$ $R4 = 4 \text{ ohms}$



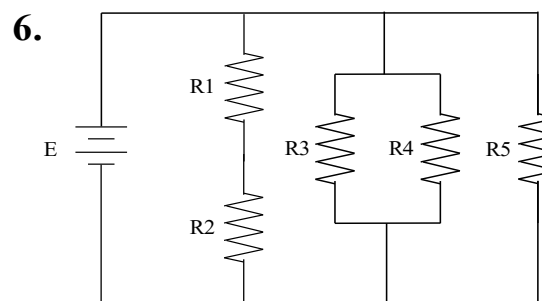
$E = \underline{\hspace{2cm}}$ $R2 = 12 \text{ ohms}$
 $I_T = 1 \text{ ampere}$ $R3 = 12 \text{ ohms}$
 $R1 = 2 \text{ ohms}$ $R4 = 4 \text{ ohms}$



$E = 24 \text{ volts}$ $R2 = 12 \text{ ohms}$ $R5 = 12 \text{ ohms}$
 $I_T = \underline{\hspace{2cm}}$ $R3 = 12 \text{ ohms}$
 $R1 = 6 \text{ ohms}$ $R4 = 6 \text{ ohms}$



$E = 24 \text{ volts}$ $R2 = 2 \text{ ohms}$
 $I_T = 6 \text{ amperes}$ $R3 = \underline{\hspace{2cm}}$
 $R1 = 2 \text{ ohms}$ $R4 = 2 \text{ ohms}$



$E = \underline{\hspace{2cm}}$ $R2 = 4 \text{ ohms}$ $R5 = 4 \text{ ohms}$
 $I_T = 12 \text{ amperes}$ $R3 = 16 \text{ ohms}$
 $R1 = 4 \text{ ohms}$ $R4 = 16 \text{ ohms}$