

# Series-Parallel Circuit Worksheet #2

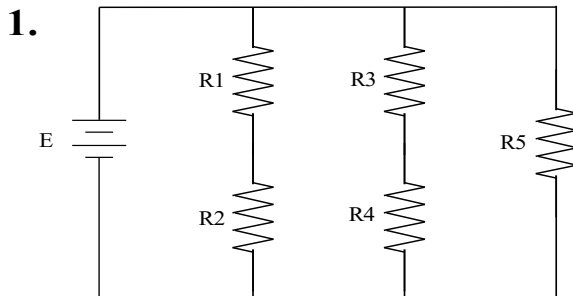
Meets ASE Task: A<sup>^</sup> - A-4 – P-1

Name: \_\_\_\_\_ Date: \_\_\_\_\_ Time on Task: \_\_\_\_\_

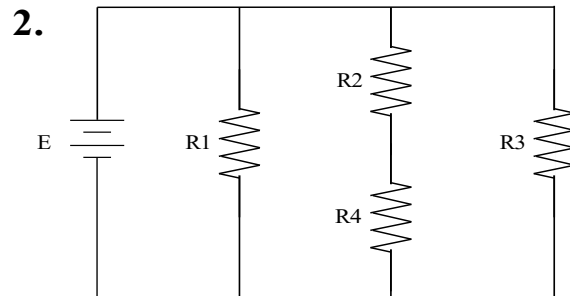
Make/Model/Year: \_\_\_\_\_ VIN: \_\_\_\_\_

Evaluation (Enter number from 4, 3, 2, 1) : \_\_\_\_\_

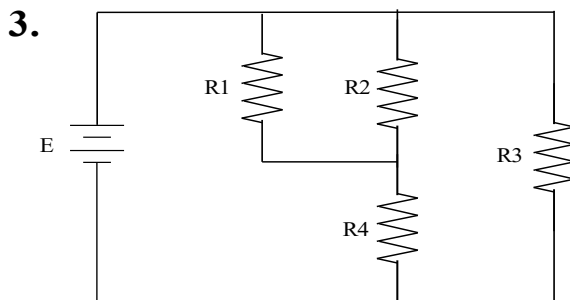
1. Determine the missing value for each series-parallel circuit.



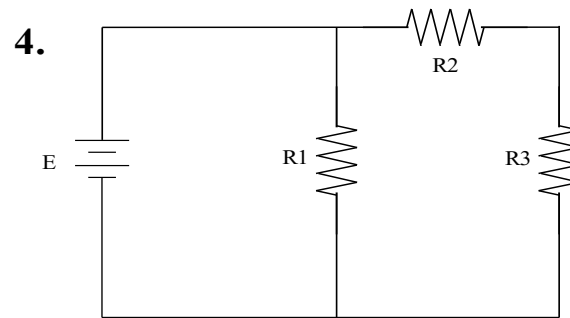
$E = 24$  volts  
 $I_T =$  \_\_\_\_\_  
 $R1 = 6$  ohms  
 $R2 = 6$  ohms  
 $R3 = 6$  ohms  
 $R4 = 6$  ohms  
 $R5 = 6$  ohms



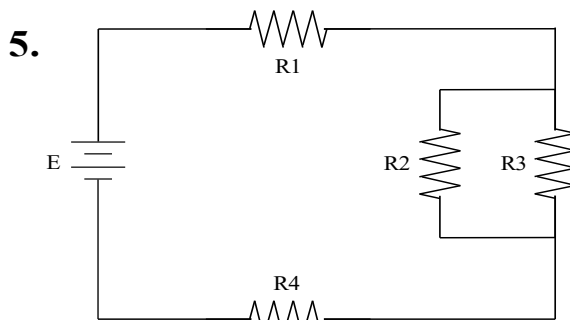
$E =$  \_\_\_\_\_  
 $I_T = 12$  amperes  
 $R1 = 8$  ohms  
 $R2 = 4$  ohms  
 $R3 = 4$  ohms  
 $R4 = 4$  ohms



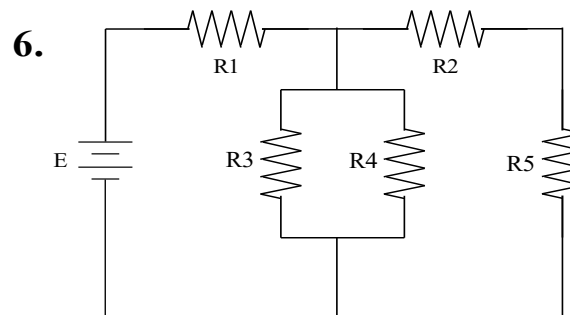
$E = 12$  volts  
 $I_T =$  \_\_\_\_\_  
 $R1 = 4$  ohms  
 $R2 = 4$  ohms  
 $R3 = 4$  ohms  
 $R4 = 2$  ohms



$E =$  \_\_\_\_\_  
 $I_T = 6$  amperes  
 $R1 = 8$  ohms  
 $R2 = 4$  ohms  
 $R3 = 4$  ohms



$E = 12$  volts  
 $I_T =$  \_\_\_\_\_  
 $R1 = 1$  ohm  
 $R2 = 2$  ohms  
 $R3 = 2$  ohms  
 $R4 = 1$  ohm



$E = 12$  volts  
 $I_T = 4$  amperes  
 $R1 =$  \_\_\_\_\_  
 $R2 = 4$  ohms  
 $R3 = 4$  ohms  
 $R4 = 8$  ohms  
 $R5 = 4$  ohms