

Series Circuit Worksheet #1

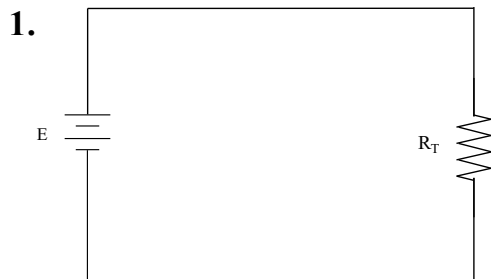
Meets ASE Task: A6 – A-4 – P-1

Name: _____ Date: _____ Time on Task: _____

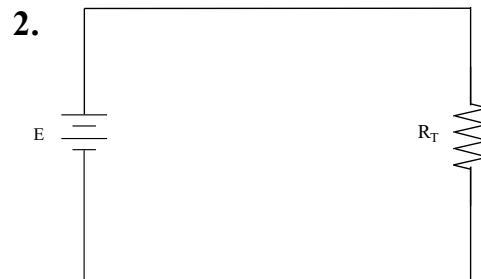
Make/Model/Year: _____ VIN: _____

Evaluation (Enter number from 4, 3, 2, 1) : _____

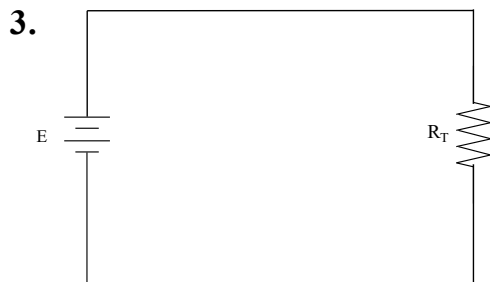
1. Determine the missing value for each series circuit.



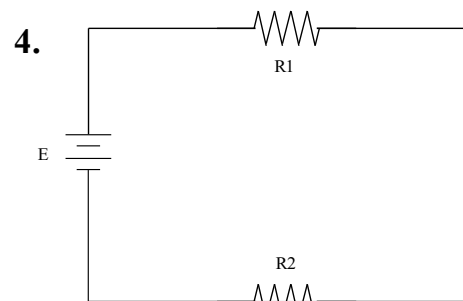
$E = 12 \text{ volts}$
 $I_T = 3 \text{ amperes}$
 $R_T = \underline{\hspace{2cm}}$



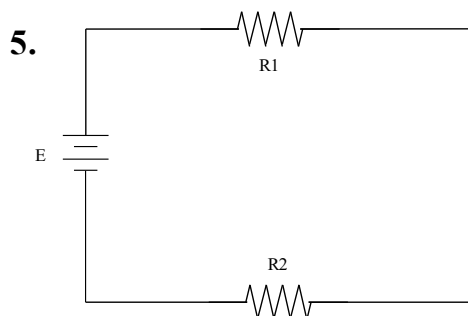
$E = 12 \text{ volts}$
 $I_T = \underline{\hspace{2cm}}$
 $R_T = 3 \text{ ohms}$



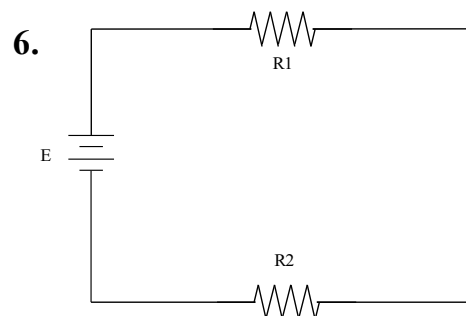
$E = \underline{\hspace{2cm}}$
 $I_T = 3 \text{ amperes}$
 $R_T = 4 \text{ ohms}$



$E = 12 \text{ volts}$
 $I_T = \underline{\hspace{2cm}}$
 $R1 = 1 \text{ ohm}$
 $R2 = 1 \text{ ohm}$



$E = \underline{\hspace{2cm}}$
 $I_T = 2 \text{ amperes}$
 $R1 = 3 \text{ ohms}$
 $R2 = 3 \text{ ohms}$



$E = 12 \text{ volts}$
 $I_T = 3 \text{ amperes}$
 $R1 = 3 \text{ ohms}$
 $R2 = \underline{\hspace{2cm}}$