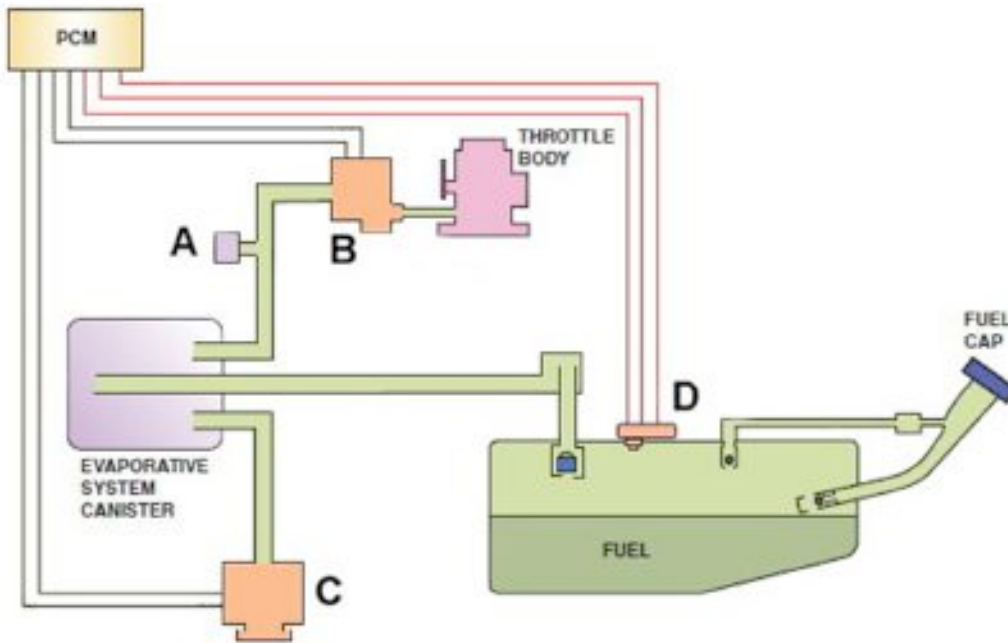


Name _____

MULTIPLE CHOICE. Choose the one alternative that best completes the statement or answers the question.

- 1) Which EVAP valve is subject to rust and corrosion more than all of the others? 1) _____
- A) Purge valve
 - B) Vacuum control valve
 - C) Vent valve
 - D) Roll over check valve

- 2) Which of these components is the EVAP system purge solenoid? 2) _____



- A) A
- B) B
- C) C
- D) D

- 3) A fuel tank expansion chamber is designed to be what percentage of the tank capacity? 3) _____

- A) 10-20%
- B) 2-5%
- C) 25-30%
- D) None of these

- 4) Two technicians are discussing a state emission test. Technician A says that a vent valve that is not able to close can cause the system to fail the on-board test. Technician B says that a leaking gas cap can cause a failure of the EVAP test. Which technician is correct? 4) _____

- A) Technician A only
- B) Technician B only
- C) Both technicians
- D) Neither technician

- 5) What makes activated charcoal ideal for trapping gasoline fumes? 5) _____
A) Large surface area
B) Low flash point
C) High boiling point
D) None of these
- 6) A vehicle failed an emission test due to high carbon monoxide and hydrocarbons in the exhaust gas. What could be the cause? 6) _____
A) Saturated EVAP charcoal canister
B) Overfilling the fuel tank
C) Either A or B
D) Neither A nor B
- 7) Beginning with the 2000 model year, enhanced EVAP systems were introduced that can detect a leak as small as _____. 7) _____
A) 0.020 in.
B) 0.040 in.
C) 0.002 in.
D) none of these
- 8) All of the following can increase the pressure in the evaporative emission system EXCEPT _____. 8) _____
A) fuel temperature
B) returned fuel from the fuel injection system
C) inlet fuel to the fuel pump
D) volatility of the fuel
- 9) The canister vent valve is a normally _____ valve. 9) _____
A) open
B) closed
C) pulsed
D) omitted on some vehicles
- 10) What polluting chemical compound is caused by evaporating gasoline? 10) _____
A) Volatile organic compounds (VOCs)
B) Carbon monoxide
C) Ozone
D) None of these

Answer Key

Testname: AT6_85A

1) C

Page Ref: 990

2) B

Page Ref: 990

3) A

Page Ref: 987

4) C

Page Ref: 991

5) A

Page Ref: 988

6) C

Page Ref: 987

7) A

Page Ref: 989

8) C

Page Ref: 988

9) A

Page Ref: 990

10) A

Page Ref: 987