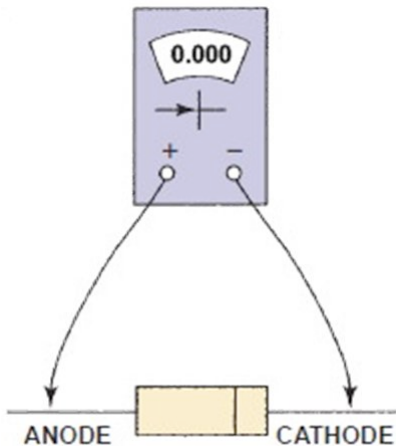


Name \_\_\_\_\_

**MULTIPLE CHOICE. Choose the one alternative that best completes the statement or answers the question.**

- 1) "Breakdown voltage" is the voltage at which a Zener diode will do which of these? 1) \_\_\_\_\_  
A) Allow reverse current to flow  
B) Stop the flow of reverse current  
C) Sustain damage as a result of current overload  
D) Stop the flow of either forward or reverse current
- 2) To avoid damage from an electrostatic discharge, the technician should \_\_\_\_\_ before handling sensitive electronic components. 2) \_\_\_\_\_  
A) wear dark clothing  
B) be sure to wear insulated shoes  
C) touch the housing of the component before removing it from the protective cover  
D) touch a metal surface on the vehicle
- 3) The arrow in a symbol for a semiconductor device \_\_\_\_\_. 3) \_\_\_\_\_  
A) points toward the negative  
B) points away from the negative  
C) is attached to the emitter on a transistor  
D) Both A and C are correct.
- 4) A digital meter is set to the diode check setting. The following reading is observed. What does this indicate? 4) \_\_\_\_\_



- A) The diode is shorted.  
B) The diode is open.  
C) The diode is OK.  
D) Not enough information

5) A material with four electrons in the valence ring is called a(n) \_\_\_\_\_.

5) \_\_\_\_\_

- A) compound
- B) conductor
- C) insulator
- D) semiconductor

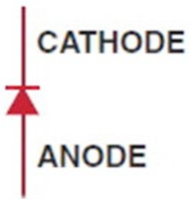
6) A transistor is controlled by the polarity and current at the \_\_\_\_\_.

6) \_\_\_\_\_

- A) collector
- B) emitter
- C) base
- D) both A and B

7) What does this symbol represent?

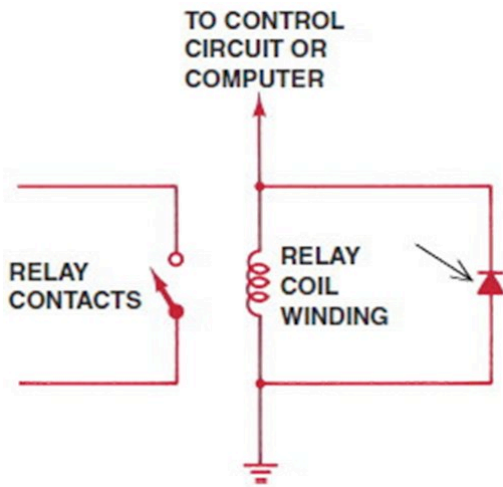
7) \_\_\_\_\_



- A) A diode
- B) A relay
- C) A zener diode
- D) An LED

8) What is the purpose of this component (arrow) in this schematic?

8) \_\_\_\_\_



- A) To control voltage spikes
- B) To hold the relay on once it is energized
- C) To protect the ground connection
- D) To protect the relay incase of reverse polarity

- 9) The positive lead of a diode is called the \_\_\_\_\_.
- A) cathode
  - B) anode
  - C) emitter
  - D) none of these

9) \_\_\_\_\_

- 10) A digital meter set to ohms is used to test diodes.
- A) True
  - B) False

10) \_\_\_\_\_

## Answer Key

Testname: AT6\_48B

1) A

Page Ref: 549

2) D

Page Ref: 561

3) D

Page Ref: 554

4) A

Page Ref: 558

5) D

Page Ref: 546

6) C

Page Ref: 554

7) A

Page Ref: 548

8) A

Page Ref: 549

9) B

Page Ref: 548

10) B

Page Ref: 557