

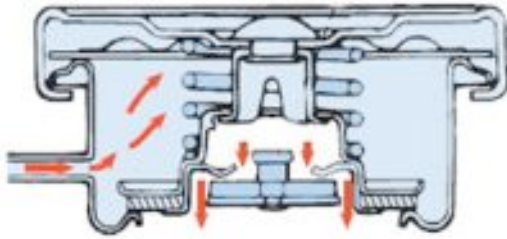
Name \_\_\_\_\_

**MULTIPLE CHOICE. Choose the one alternative that best completes the statement or answers the question.**

- 1) Heat transfer is improved from the coolant to the air when the \_\_\_\_\_. 1) \_\_\_\_\_  
A) temperature difference is great  
B) temperature difference is small  
C) coolant is 95% antifreeze  
D) both A and C
- 2) What diagnostic trouble code (DTC) could be set if the thermostat is defective? 2) \_\_\_\_\_  
A) P0300  
B) P0171  
C) P0440  
D) P0128
- 3) The use of a coolant recovery machine is helpful in preventing \_\_\_\_\_ from entering the cooling system. 3) \_\_\_\_\_  
A) air  
B) oil  
C) excessive vibrations  
D) hose residue
- 4) Which statement is TRUE about thermostats? 4) \_\_\_\_\_  
A) The temperature marked on the thermostat is the temperature at which the thermostat should be fully open.  
B) Thermostats often cause overheating.  
C) The temperature marked on the thermostat is a temperature at which the thermostat should start to open.  
D) Both A and B
- 5) An automotive engine that running at too high of a temperature will have which of these? 5) \_\_\_\_\_  
A) Excessive oil consumption  
B) Poor cooling system circulation  
C) High oxides of carbon  
D) High thermal inefficiency
- 6) The normal operating temperature (coolant temperature) of an engine equipped with a 195°F thermostat is \_\_\_\_\_. 6) \_\_\_\_\_  
A) 175°F to 195°F  
B) 185°F to 205°F  
C) 195°F to 215°F  
D) 175°F to 215°F

7) In this drawing of a radiator cap, what is occurring within the cooling system?

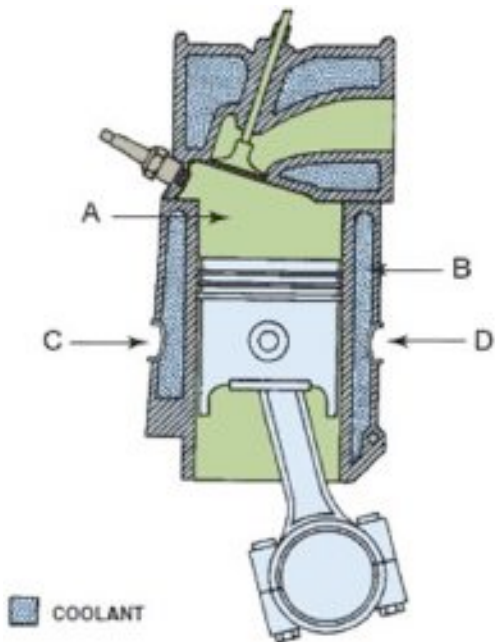
7) \_\_\_\_\_



- A) The system is cooling down
- B) The system is overheating
- C) Coolant is returning to the radiator
- D) Both A and C

8) Which one of these areas is the water jacker?

8) \_\_\_\_\_



- A) A
- B) B
- C) C
- D) D

9) Electric cooling fans are typically commanded on and off by the \_\_\_\_\_.

9) \_\_\_\_\_

- A) powertrain control module (PCM)
- B) thermostat
- C) radiator pressure sensor (RPS)
- D) cooling system delta sensor

10) If a cooling system operates at too cool of a temperature, the engine will \_\_\_\_\_.

10) \_\_\_\_\_

- A) produce more torque
- B) have more efficiency
- C) pre-ignite or detonate
- D) produce acids in the oil

## Answer Key

Testname: AT6\_21A

1) A

Page Ref: 201

2) D

Page Ref: 195

3) A

Page Ref: 209

4) C

Page Ref: 196

5) A

Page Ref: 196

6) C

Page Ref: 197

7) D

Page Ref: 201

8) B

Page Ref: 196

9) A

Page Ref: 205

10) D

Page Ref: 195