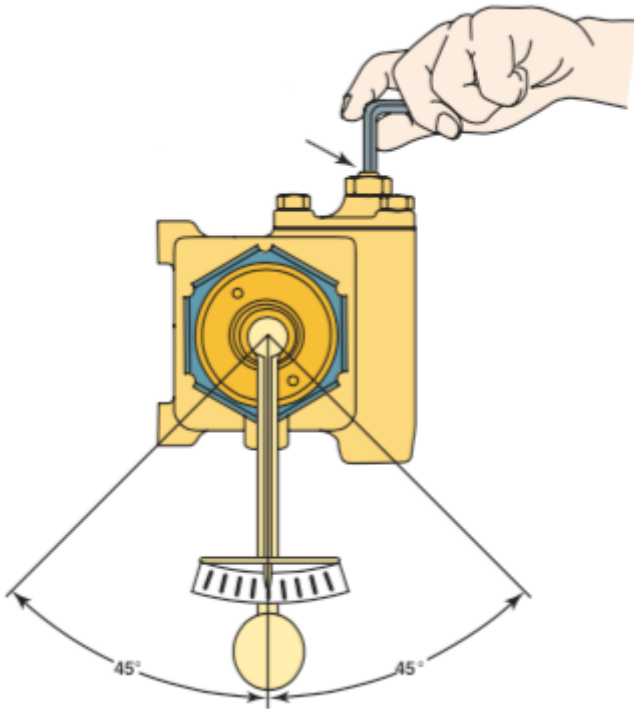


Name \_\_\_\_\_

**MULTIPLE CHOICE. Choose the one alternative that best completes the statement or answers the question.**

- 1) Which component connects to the floor of the passenger compartment to isolate road noise, drafts, and dirt? 1) \_\_\_\_\_  
A) Toe plate  
B) Knee bolster  
C) Stub shaft  
D) Breakaway bracket
- 2) What is the purpose and function of the air tube connecting the two end boots? 2) \_\_\_\_\_  
A) Transfer air from one boot to the other when the wheels are turned  
B) Move grease from one boot to the other to equalize the amount of grease in each boot  
C) To prevent water from entering the boots  
D) To keep any fluid from escaping
- 3) What adjustment is being made in this illustration? 3) \_\_\_\_\_

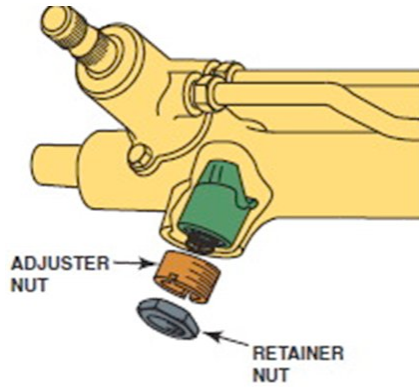


- A) Overcenter adjustment  
B) Wormshaft endplay  
C) Ball return ramps  
D) Wormshaft preload

- 4) Which component is NOT a safety requirement for steering column systems? 4) \_\_\_\_\_  
A) Sector shaft  
B) Knee bolster  
C) Collapsible column  
D) All of these are correct
- 5) The circuit to the airbag inflation module is connected from the steering column to the steering wheel through which component? 5) \_\_\_\_\_  
A) Slip ring and carbon brushes  
B) Clockspring (coil)  
C) Magnetic field sensor  
D) Hall-effect switch
- 6) Technician A says that worm bearing preload is also called worm end play. Technician B says that sector lash is also known as gear lash. Which technician is correct? 6) \_\_\_\_\_  
A) Technician A only  
B) Technician B only  
C) Both technicians  
D) Neither technician
- 7) What is the name of the flexible coupling that allows two shafts to join and allow plunging? 7) \_\_\_\_\_  
A) Pot joint  
B) U-joint  
C) Plunge joint  
D) None of these
- 8) The driver rotates the steering wheel one-half of one revolution on a vehicle equipped with a steering gear with a 20:1 gear ratio. How many degrees will the front tires be rotated? 8) \_\_\_\_\_  
A) 9 degrees  
B) 0.1 degrees  
C) 90 degrees  
D) 11.1 degrees

9) What is the purpose of the adjuster nut in this drawing?

9) \_\_\_\_\_



- A) To change rack oil
- B) To set pinion gear end-play
- C) To set rack-and-pinion gear preload
- D) None of these

10) Technician A says that federal law requires all vehicles to be equipped with collapsible steering columns. Technician B says that a hammer can be used to install a steering wheel onto the steering shaft. Which technician is correct?

10) \_\_\_\_\_

- A) Technician A only
- B) Technician B only
- C) Both technicians
- D) Neither technician

## Answer Key

Testname: AT6\_120B

- 1) A  
Page Ref: 1470
- 2) A  
Page Ref: 1476
- 3) A  
Page Ref: 1476
- 4) A  
Page Ref: 1469
- 5) B  
Page Ref: 1466
- 6) C  
Page Ref: 1474
- 7) A  
Page Ref: 1468
- 8) A  
Page Ref: 1471
- 9) C  
Page Ref: 1479
- 10) A  
Page Ref: 1467, 1469