

## Automotive Engines 10th

### Quiz 16B

**MULTIPLE CHOICE.** Choose the one alternative that best completes the statement or answers the question.

1. Technician A says that all battery connections should be tested for corrosion. Technician B says that battery cables should be checked for corrosion and replaced as needed. Which technician is correct? 1. \_\_\_\_\_
  - A) Technician A only
  - B) Technician B only
  - C) Both technicians A and B
  - D) Neither technician A nor B
  
2. What battery testing device shows the status of the battery in words on the display? 2. \_\_\_\_\_
  - A) Battery load tester (carbon-pile tester)
  - B) Conductance tester
  - C) Ammeter
  - D) Voltmeter
  
3. A battery open circuit voltage test shows 12.38 volts on the voltmeter. This means the battery is \_\_\_\_\_ charged. 3. \_\_\_\_\_
  - A) 100%
  - B) 75%
  - C) 50%
  - D) 25%
  
4. If the starter turns slowly when engaged, a possible cause is a(n) \_\_\_\_\_. 4. \_\_\_\_\_
  - A) worn or defective starter
  - B) defective solenoid
  - C) disconnected battery cable
  - D) open ignition switch
  
5. The cold-cranking ampere rating of a battery is tested at what temperature? 5. \_\_\_\_\_
  - A) 32° F
  - B) 48° F
  - C) 0° F
  - D) 0° C
  
6. Which of these battery ratings is measured in minutes? 6. \_\_\_\_\_
  - A) Marine cranking amps
  - B) Reserve capacity
  - C) Amp-hours
  - D) Cranking amps
  
7. What is acceptable battery voltage during engine cranking? 7. \_\_\_\_\_
  - A) Above 9.6 volts
  - B) 2.2 to 9.0 volts
  - C) 13.5 to 15.0 volts
  - D) Above 15.0 volts

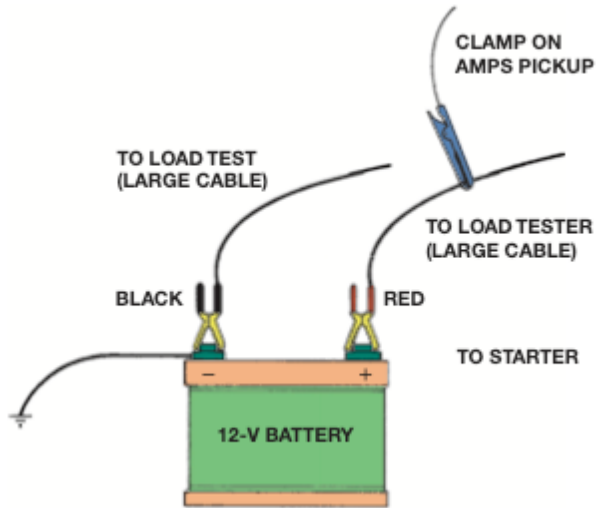
8. During the load test, battery voltage should not drop below how many volts?

- A) 9.6
- B) 7.5
- C) 8.6
- D) 10.5

8. \_\_\_\_\_

9. What test is being performed in this illustration?

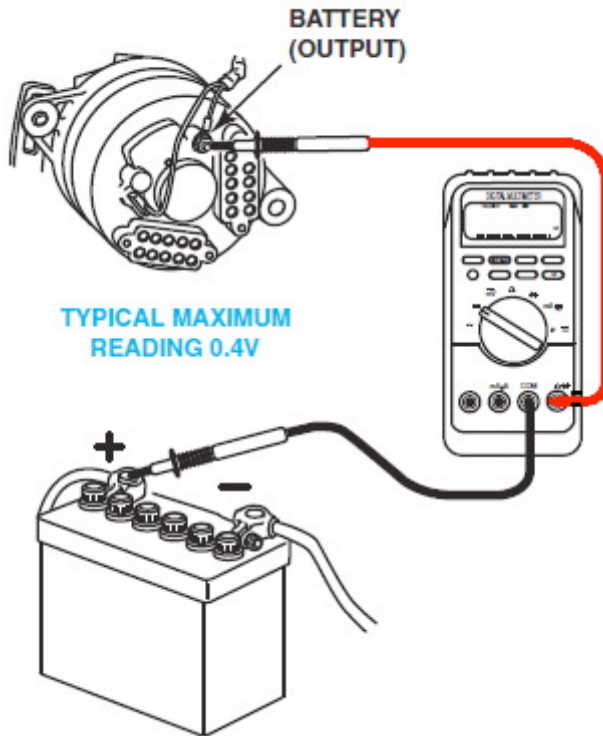
9. \_\_\_\_\_



- A) Starter amperage draw test
- B) Battery load test
- C) Ground side voltage drop test
- D) Positive side voltage drop test

10. What test is being performed in this illustration?

10. \_\_\_\_\_



- A) Alternator output voltage drop test
- B) Charging current test
- C) Alternator ground circuit test
- D) Battery voltage test

## Answer Key

Testname: ENGINES 10 16B

1. C  
Page Ref: 195
2. B  
Page Ref: 197
3. B  
Page Ref: 196
4. A  
Page Ref: 208
5. C  
Page Ref: 193
6. B  
Page Ref: 194
7. A  
Page Ref: 196
8. A  
Page Ref: 197
9. B  
Page Ref: 197
10. A  
Page Ref: 212