

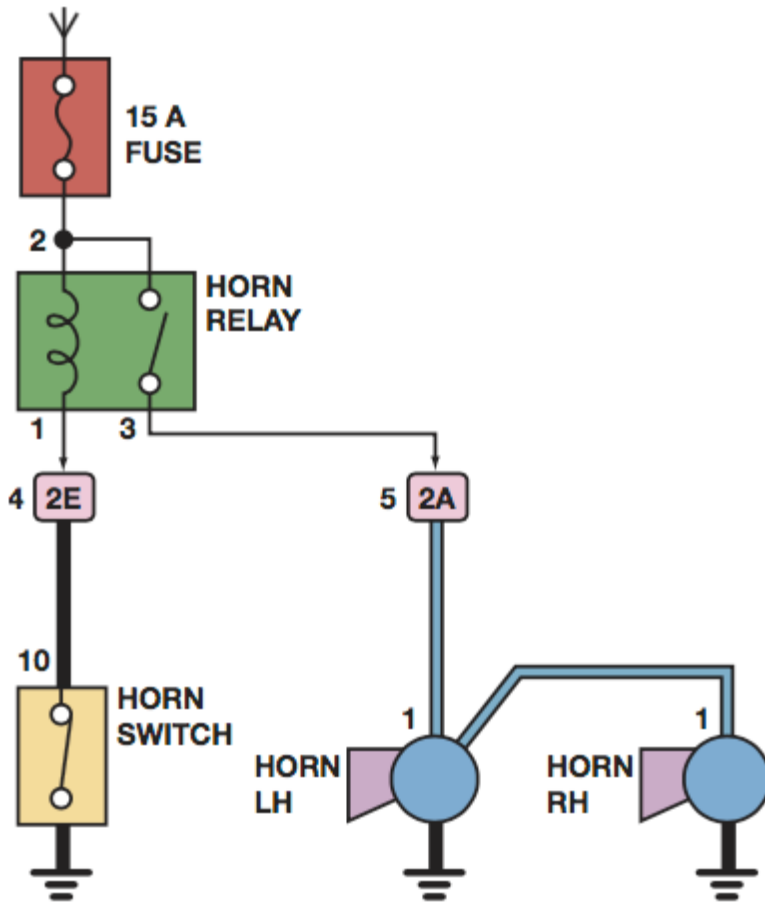
Name _____

MULTIPLE CHOICE. Choose the one alternative that best completes the statement or answers the question.

- 1) Technician A says that a good relay should measure between 60 and 100 ohms across the coil terminals. Technician B says that OL should be displayed on an ohmmeter when touching terminals 30 and 87. Which technician is correct? 1) _____
A) Technician A only
B) Technician B only
C) Both technicians
D) Neither technician
- 2) If an insulated wire rubbed through a part of the insulation and the wire conductor touched the steel body of a vehicle, the type of failure would be called _____. 2) _____
A) A short to voltage
B) A short to ground
C) An open
D) A chassis ground
- 3) When testing a relay using an ohmmeter, which two terminals should be touched to measure the coil resistance? 3) _____
A) 87 and 30
B) 86 and 85
C) 87a and 87
D) 86 and 87
- 4) A magnetic vehicle speed sensor (VSS) can be tested with a _____. 4) _____
A) Test light
B) Ohmmeter
C) AC voltmeter
D) Both B and C

5) Examine this horn circuit. The horn switch is closed but the relay switch is open, making the horns inoperative. Which of these would NOT could cause this fault?

5) _____



- A) A disconnected ground at the horns
- B) A bad connection at location 10
- C) A bad relay winding
- D) An open wire between locations 1 and 4

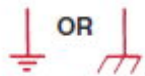
6) In a schematic, a wire is labeled "0.8 BLK/WHT." This wire is _____.

6) _____

- A) 0.8 mm diameter
- B) White with a black stripe
- C) 0.8 inch in diameter
- D) Black with a white stripe that is 0.8 mm in width

7) The symbol in the figure below indicates which of these?

7) _____



- A) Battery
- B) Capacitor
- C) Diode
- D) Ground

8) A meter reads "0.899 mV. This reading is _____ 1 volt.

8) _____

- A) Less than
- B) More than
- C) The same as
- D) None of these

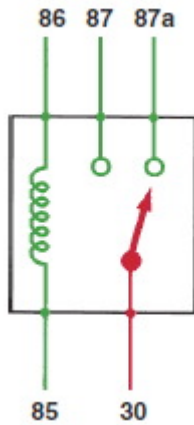
9) The type of solder that should be used for electrical work is _____.

9) _____

- A) Rosin core
- B) Acid core
- C) 60/40 with no flux
- D) 50/50 with acid paste flux

10) This drawing is a representation of _____.

10) _____



- A) A relay
- B) An ignition coil
- C) A potentiometer
- D) A vacuum switch

Answer Key

Testname: MDA8_14B

1) C

Page Ref: 272-273

2) B

Page Ref: 261

3) B

Page Ref: 272

4) D

Page Ref: 274

5) A

Page Ref: 274

6) B

Page Ref: 261

7) D

Page Ref: 262

8) A

Page Ref: 265

9) A

Page Ref: 270

10) A

Page Ref: 272