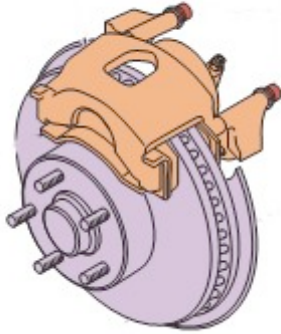


Name \_\_\_\_\_

**MULTIPLE CHOICE. Choose the one alternative that best completes the statement or answers the question.**

1) What type of brake system is pictured below?

1) \_\_\_\_\_



- A) Disc brake
- B) Drum brake
- C) Reverse brake
- D) Transmission brake

2) Power assisted brakes are used to \_\_\_\_\_.

2) \_\_\_\_\_

- A) Allow the front wheels to be steered during braking
- B) Allow for a shorter stopping distance
- C) Reduce brake pad/lining wear
- D) Reduce the force required by the driver on the brake pedal

3) Drum brakes use what part to stop the rotation of the brake drum?

3) \_\_\_\_\_

- A) Brake pad
- B) Brake shoe
- C) Axle housing
- D) Brake pedal

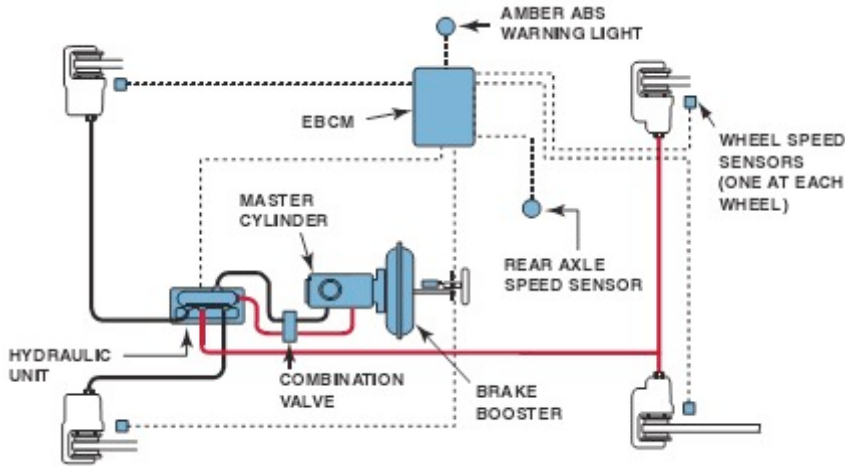
4) Technician A says that the tinnerman nuts are used to hold the brake drum on and should be reinstalled when the drum is replaced. Technician B says that before the brake drum is removed, the brakes should be wetted to prevent possible asbestos dust from being released into the air. Which technician is correct?

4) \_\_\_\_\_

- A) Technician A only
- B) Technician B only
- C) Both technician A and technician B
- D) Neither technician A nor technician B

5) What brake system is illustrated?

5) \_\_\_\_\_



- A) Electric braking system
- B) Anti-lock braking system
- C) Brake warning system
- D) Electronic speedometer

6) Technician A says that the power brake system (boost system) helps reduce the force required by the driver to apply the brakes. Technician B says that the brake boost system is used to reduce stopping distance. Which technician is correct?

6) \_\_\_\_\_

- A) Technician A only
- B) Technician B only
- C) Both Technicians A and B
- D) Neither Technician A nor B

7) Disc brakes are used \_\_\_\_\_.

7) \_\_\_\_\_

- A) On the front only
- B) On the rear only
- C) On both front and rear
- D) None of the above

8) Most brake experts and vehicle manufacturers recommend replacing brake lining when the lining thickness is \_\_\_\_\_.

8) \_\_\_\_\_

- A) 0.030 in. (0.8 mm)
- B) 0.040 in. (1.0 mm)
- C) 0.050 in. (1.3 mm)
- D) 0.060 in. (1.5 mm)

9) Drum brakes use replaceable friction material called \_\_\_\_\_.

9) \_\_\_\_\_

- A) Shoes
- B) Pads
- C) Core
- D) Web

- 10) Technician A says that disc brake pads should be replaced when worn to minimum allowable thickness. Technician B says the wear indicator will start making a noise when the brake pads are worn down to the thickness requiring replacement. Which technician is correct?
- A) Technician A only
  - B) Technician B only
  - C) Both technician A and technician B
  - D) Neither technician A nor technician B

10) \_\_\_\_\_

## Answer Key

Testname: INTRO\_36B

1) A

Page Ref: 326

2) D

Page Ref: 327

3) B

Page Ref: 326

4) B

Page Ref: 329

5) B

Page Ref: 329

6) A

Page Ref: 325

7) C

Page Ref: 325

8) D

Page Ref: 329

9) A

Page Ref: 326

10) C

Page Ref: 331