

Name \_\_\_\_\_

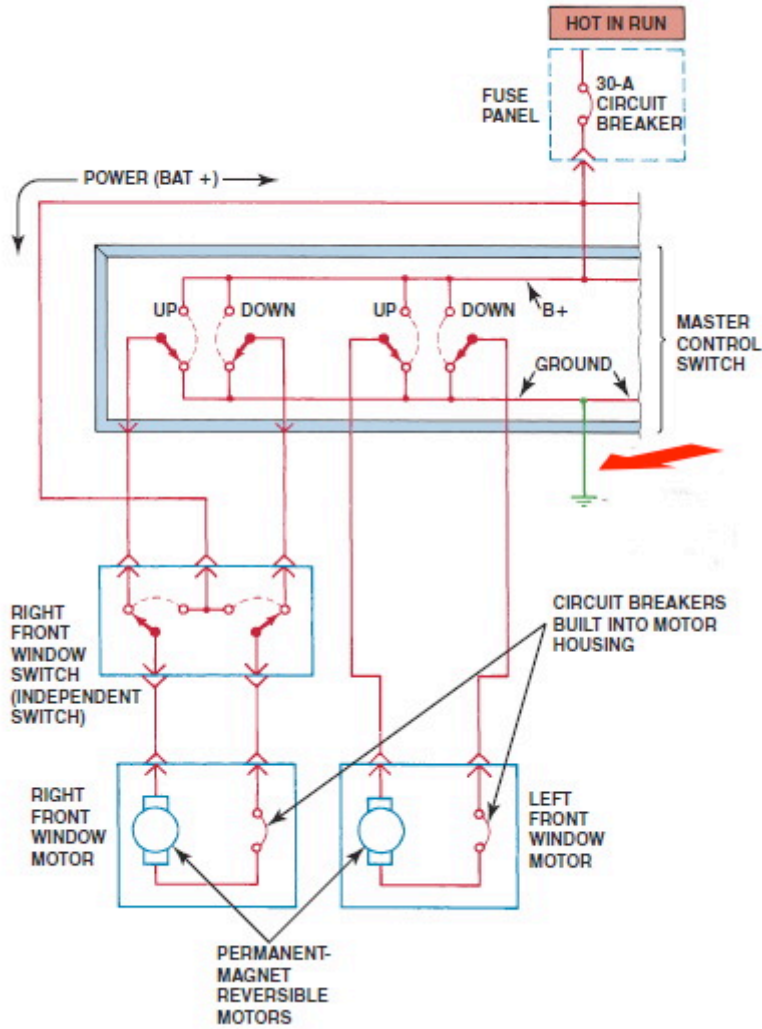
**MULTIPLE CHOICE. Choose the one alternative that best completes the statement or answers the question.**

- 1) The temperature of heated seats is regulated by \_\_\_\_\_. 1) \_\_\_\_\_
  - A) A seat cushion temperature sensor and seat module
  - B) Thick seat insulation
  - C) A heat sensor on top of the under-seat carpet
  - D) None of these
  
- 2) Power window systems use \_\_\_\_\_ motors? 2) \_\_\_\_\_
  - A) Unidirectional
  - B) Reversible
  - C) Stepper
  - D) Servo
  
- 3) PM motors used in power windows, mirrors, and seats can be reversed by \_\_\_\_\_. 3) \_\_\_\_\_
  - A) Sending current to a reversed field coil
  - B) Reversing the polarity of the current to the motor
  - C) Using a reverse relay circuit
  - D) Using a relay and a two-way clutch
  
- 4) A typical 6 way power seat uses \_\_\_\_\_. 4) \_\_\_\_\_
  - A) 6-9 separate PM non-grounded electric motors
  - B) 1-3 motors (depending on manufacturer)
  - C) 6 separate grounded electric motors only
  - D) 2 electric motors and a 3-way direct acting transmission
  
- 5) A vehicle equipped with heated and cooled seats is in the shop for service. What special service may be required for the seats? 5) \_\_\_\_\_
  - A) Checking the heating/cooling element filter
  - B) Refilling the seat coolant fluid
  - C) resetting the seat timer
  - D) Changing the Peltier elements
  
- 6) Technician A says that the cruise control on a vehicle equipped with an electronic throttle control (ETC) system uses a servo to move the throttle. Technician B says that the cruise control on a vehicle with ETC uses the APP (Accelerator Pedal Position) sensor to set the speed. Who is right? 6) \_\_\_\_\_
  - A) A only
  - B) B only
  - C) Both A and B
  - D) Neither A nor B

- 7) Which of the following General Motors anti-theft systems do NOT require replacement keys to be learned by the system 7) \_\_\_\_\_
- A) Passlock
  - B) Passkey III
  - C) Passkey III+
  - D) All of these require the key to be learned
- 8) The owner of a vehicle equipped with cruise control complains that the cruise control often stops working when driving over a rough or bumpy road. Technician A says that the brake switch may be out of adjustment. Technician B says that a defective servo unit is the most likely cause. Who is right? 8) \_\_\_\_\_
- A) A only
  - B) B only
  - C) Both A and B
  - D) Neither A nor B

9) In this diagram, what would happen if the ground (red arrow) was disconnected?

9) \_\_\_\_\_



- A) Windows would operate slowly
- B) Only one motor would work
- C) Windows would work from the master control only
- D) Windows would not work at all

10) A radar cruise control system is designed to \_\_\_\_\_.

10) \_\_\_\_\_

- A) Warn when police radar is present
- B) Maintain a set distance between vehicles
- C) Disengage when police radar is detected
- D) None of these

## Answer Key

Testname: AAEE\_19B

- 1) A  
Page Ref: 277
- 2) B  
Page Ref: 272
- 3) B  
Page Ref: 272-273
- 4) B  
Page Ref: 275
- 5) A  
Page Ref: 278
- 6) D  
Page Ref: 266
- 7) A  
Page Ref: 291-292, 294
- 8) A  
Page Ref: 266
- 9) D  
Page Ref: 273
- 10) B  
Page Ref: 269