

Name _____

MULTIPLE CHOICE. Choose the one alternative that best completes the statement or answers the question.

- 1) A typical blower motor draws about _____ amperes on high speed. 1) _____
 - A) 7 to 8
 - B) 12 to 15
 - C) 3
 - D) 5

- 2) Technician A says that a blower motor can be tested using a fused jumper lead. Technician B says that a blower motor can be tested using a clamp-on ammeter. Which technician is correct? 2) _____
 - A) Technician A
 - B) Technician B
 - C) Both technicians
 - D) Neither technician

- 3) Which pitch horn is used for a single horn application? 3) _____
 - A) High pitch
 - B) Low pitch

- 4) A weak-sounding horn is being diagnosed. Technician A says that a poor ground connector at the horn itself could be the cause. Technician B says that an open relay can be the cause. Which technician is correct? 4) _____
 - A) Technician A
 - B) Technician B
 - C) Both technicians
 - D) Neither technician

- 5) A rain-sense wiper system uses a rain sensor that is usually mounted _____. 5) _____
 - A) Behind the grille
 - B) Outside of the windshield at the top
 - C) Inside of the windshield at the top
 - D) On the roof

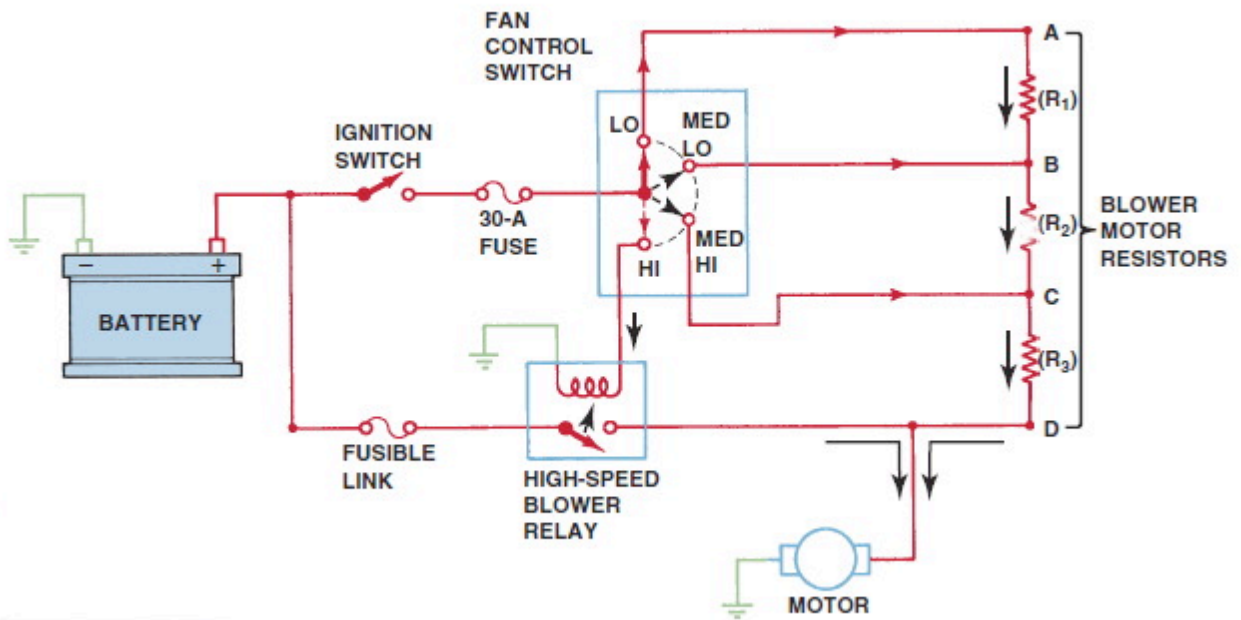
- 6) What controls the operation of a pulse-wiper system? 6) _____
 - A) A resistor that controls current flow to the wiper motor
 - B) A solid-state module
 - C) A variable speed gem set
 - D) A transistor

- 7) The rain sense module (RSM) can turn on the wipers by communicating with the _____. 7) _____
 - A) PCM
 - B) Wiper motor
 - C) BCM
 - D) Instrument cluster

8) Which of these should never be used as windshield washer fluid? 8) _____
 A) Pure water
 B) 20 % Washer fluid and 80% water mixture
 C) 50 % Washer fluid and 50% water mixture
 D) Ethylene Glycol

9) A defective blower motor draws more current than a good motor because _____. 9) _____
 A) The speed of the motor increases
 B) The CEMF decreases
 C) The airflow slows down, which decreases the cooling of the motor
 D) Both A and C

10) Refer to the wiring schematic. A burned open R2 in the blower resistor pack would have what effect on the blower operation? 10) _____



- A) Blower operates in Hi and Med Hi only
- B) Blower does not operate at all
- C) Blower only runs in Hi
- D) Blower relay will not function

Answer Key

Testname: AAEE_18A

1) B

Page Ref: 261-262

2) C

Page Ref: 262

3) A

Page Ref: 252

4) A

Page Ref: 252

5) C

Page Ref: 260

6) B

Page Ref: 258

7) C

Page Ref: 260

8) D

Page Ref: 259

9) B

Page Ref: 262

10) A

Page Ref: 261