

Name _____

MULTIPLE CHOICE. Choose the one alternative that best completes the statement or answers the question.

1) Using the bulb table below, which bulb is brightest?

1) _____

BULB NUMBER	FILAMENTS	AMPERAGE LOW/HIGH	WATTAGE LOW/HIGH	CANDLEPOWER LOW/HIGH
7440	1	1.75	21.00	36.60
7443	2	0.42/1.75	5.00/21.00	2.80/36.60
17131	1	0.33	4.00	2.80
17635	1	1.75	21.00	37.00
17916	2	0.42/1.75	5.00/21.00	1.20/35.00
Parking, Daytime Running Lamps				
24	1	0.24	3.36	2.00
67	1	0.59	7.97	4.00
168	1	0.35	4.90	3.00
194	1	0.27	3.78	2.00
889	1	3.90	49.92	43.00
912	1	1.00	12.80	12.00
916	1	0.54	7.29	2.00
1034	2	0.59/1.80	8.26/23.04	3.00/32.00
1156	1	2.10	26.88	32.00
1157	2	0.59/2.10	8.26/26.88	3.00/32.00
2040	1	0.63	8.00	10.50

- A) 194
- B) 168
- C) 67
- D) 1156

2) A customer complained that every time he turned on his vehicle's lights, the left side turn signal indicator light on the dash remained on. The most likely cause is _____.

2) _____

- A) A poor ground to the parking light (or taillight) on the left side
- B) A poor ground to the parking light (or taillight) on the right side, causing current to flow to the left side lights
- C) A defective (open) parking light (or tail light) bulb on the left side
- D) Either A or C

3) The HID lighting system consists of all of these components, EXCEPT _____.

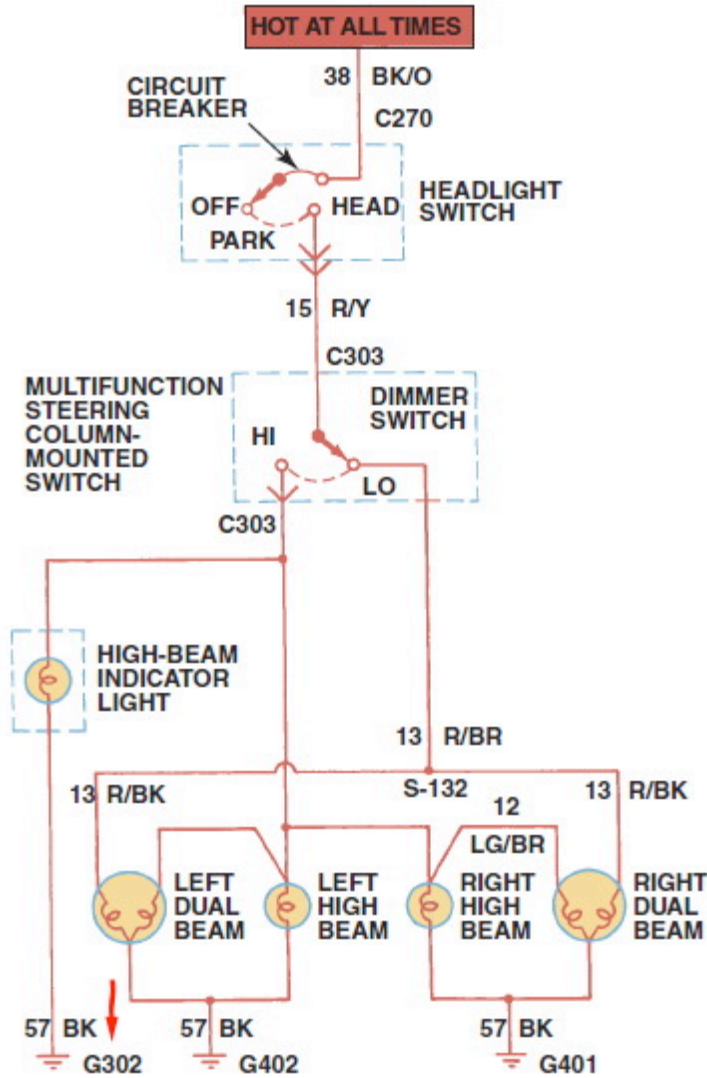
3) _____

- A) Discharge arc source
- B) Igniter
- C) Ballast
- D) Filament

- 4) Flasher units are being discussed. Technician A says that only a DOT-approved flasher unit should be used for turn signals. Technician B says that a parallel (variable-load) flasher will function for turn signal usage, although it will not warn the driver if a bulb burns out. Who is right? 4) _____
- A) A only
 - B) B only
 - C) Both A and B
 - D) Neither A nor B
- 5) Headlights can be aimed by using _____. 5) _____
- A) An aiming screen
 - B) A bubble level
 - C) Either A or B
 - D) Neither A nor B
- 6) A defective brake switch could prevent proper operation of the _____. 6) _____
- A) Cruise control
 - B) ABS brakes
 - C) Shift interlock
 - D) All of the above
- 7) Why should a technician never touch the glass ampoule of any halogen bulb? 7) _____
- A) Oils from a finger can cause a shorter service life
 - B) The glass will crack
 - C) You can get a significant burn
 - D) The glass will melt from the heat of your finger

8) What would be the result if G302 was disconnected?

8) _____



- A) No high beam headlights
- B) No high beam indicator light
- C) Dim High beams
- D) No effect

9) Single contact (1156) and double contact (1157) bulbs both use _____.

9) _____

- A) Two positioning lugs
- B) One positioning lug
- C) A wedge shape for plugging into the connector
- D) None of these

10) Technician A says that automotive bulbs are identified by trade numbers. Technician B says that the trade number is the different for each manufacturer for the exact same bulb specification. Who is right?

10) _____

- A) A only
- B) B only
- C) Both A and B
- D) Neither A nor B

Answer Key

Testname: AAEE_16A

1) D

Page Ref: 205

2) D

Page Ref: 220

3) D

Page Ref: 214

4) C

Page Ref: 210

5) C

Page Ref: 216

6) D

Page Ref: 208

7) A

Page Ref: 213

8) B

Page Ref: 212

9) A

Page Ref: 204

10) A

Page Ref: 204