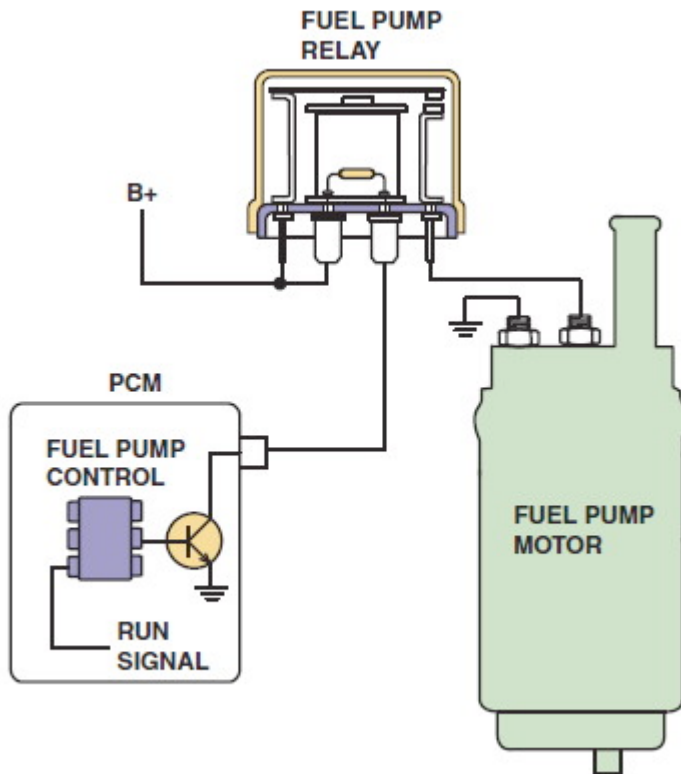


Name _____

MULTIPLE CHOICE. Choose the one alternative that best completes the statement or answers the question.

- 1) The SAE term for the vehicle computer is 1) _____
A) PCM
B) ECM
C) ECU
D) Controller

- 2) Refer to this diagram of a fuel pump control circuit. What type of a driver circuit is used in this circuit? 2) _____



- A) Low-side driver circuit
B) High-side driver circuit
C) PWM driver circuit
D) Duty cycle driver circuit
- 3) Which item is a computer input sensor? 3) _____
A) RPM
B) Throttle position angle
C) Engine coolant temperature
D) All of the above

- 4) Which data set contains only two digits? 4) _____
A) Binary
B) Hexadecimal
C) Base 10
D) Volatile
- 5) What two things can a vehicle computer actually perform (output)? 5) _____
A) Store and process information
B) Turn something on or turn something off
C) Calculate and vary temperature
D) Control fuel and timing only
- 6) Which component contains the information in the computer that is specific to the particular model vehicle? 6) _____
A) PROM, EPROM, or EEPROM
B) RAM
C) Transistor
D) Analog to digital converter
- 7) Which sensor is used to determine engine load? 7) _____
A) MAP
B) RPM
C) TP
D) ECT
- 8) Which term describes the process of manually adjusting variables such as speed, load, and spark timing to determine the optimum output settings for the computer? 8) _____
A) Engine mapping
B) Signal conditioning
C) Performance programming
D) Reflashing
- 9) What unit of electricity is used as a signal for a computer? 9) _____
A) Volt
B) Ohm
C) Ampere
D) Watt
- 10) Which computer component generates a steady stream of one-bit long voltage pulses? 10) _____
A) Clock generator
B) Central processing unit
C) Volatile memory
D) Capacitor

Answer Key

Testname: AAEE_14B

1) A

Page Ref: 178

2) A

Page Ref: 183

3) D

Page Ref: 182

4) A

Page Ref: 182

5) B

Page Ref: 182

6) A

Page Ref: 179

7) A

Page Ref: 182

8) A

Page Ref: 180

9) A

Page Ref: 178

10) A

Page Ref: 181