

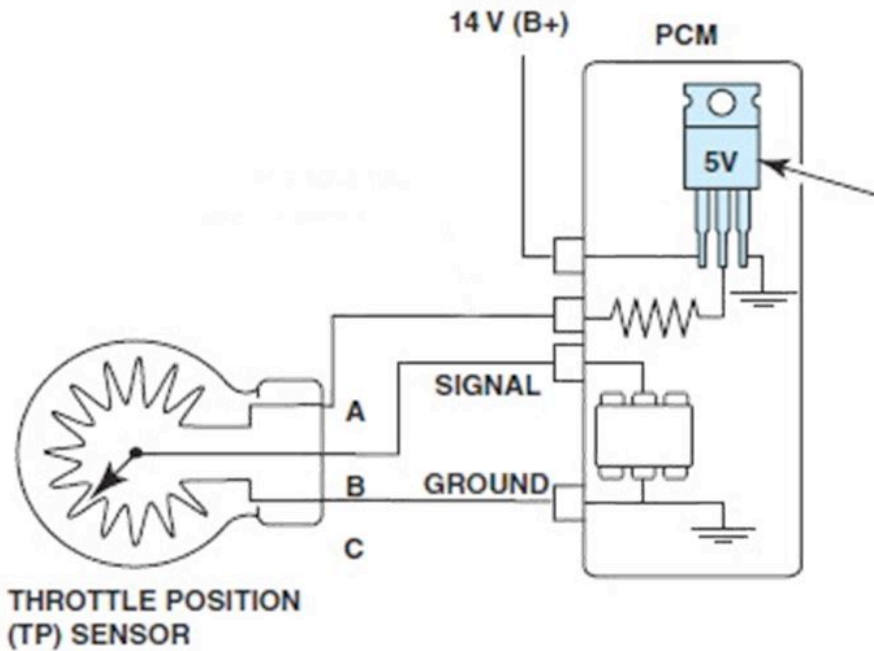
Name _____

MULTIPLE CHOICE. Choose the one alternative that best completes the statement or answers the question.

- 1) The electric power steering torque sensor uses a _____ as part of its operation. 1) _____
- A) Vacuum switch
 - B) Torsion bar
 - C) Coil spring
 - D) Wiper contact

- 2) Technician A says that a broken magnet becomes two magnets. Technician B says that there is a strong relationship between magnetism and electricity. Which technician is correct? 2) _____
- A) Technician A only
 - B) Technician B only
 - C) Both technicians
 - D) Neither technician

- 3) In this diagram the item indicated by the arrow is called a(an) _____. 3) _____

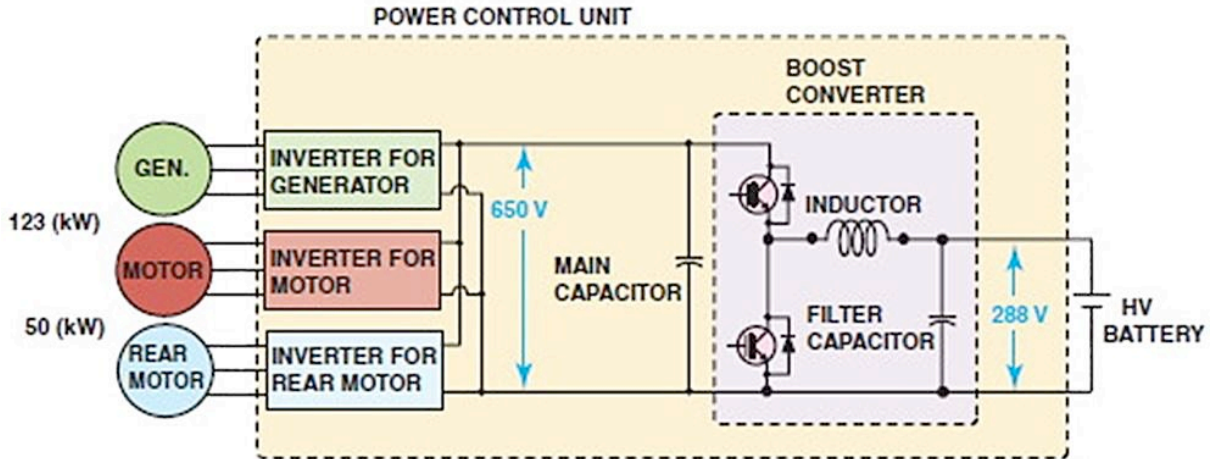


- THROTTLE POSITION (TP) SENSOR**
- A) Transistor
 - B) Capacitor
 - C) DC to DC converter
 - D) AC to DC converter

- 4) Technician A says that all electric motors are DC motors. Technician B says that two types of brushless motors use AC current. Which technician is correct? 4) _____
- A) Technician A only
 - B) Technician B only
 - C) Both technicians
 - D) Neither technician

- 5) All of the following statements are true, EXCEPT _____. 5) _____
- A) The magnetic lines of force leave the south pole and enter the north pole
 - B) Around every conductor carrying a current is a magnetic field
 - C) Magnetic lines of force never intersect
 - D) The higher the current through a conductor the stronger the magnetic flux

- 6) In this schematic, what is the purpose of the "rear motor"? 6) _____



- A) Operates the rear power seats
- B) Provides four wheel drive
- C) Controls the rear air conditioning system
- D) None of these

- 7) The hybrid system control unit is air cooled. 7) _____
- A) True
 - B) False

- 8) All electric motors must use brushes to transfer electric current. 8) _____
- A) True
 - B) False

- 9) All electric motors must use direct current. 9) _____
- A) True
 - B) False

- 10) The _____ are used to rectify AC to DC current. 10) _____
- A) Transistors
 - B) Diodes
 - C) Capacitors
 - D) Condensers

Answer Key

Testname: HYBRID4_9A

1) B

Page Ref: 143

2) C

Page Ref: 117, 119

3) C

Page Ref: 131

4) B

Page Ref: 123

5) A

Page Ref: 117

6) B

Page Ref: 128

7) B

Page Ref: 127

8) B

Page Ref: 123

9) B

Page Ref: 122-124

10) B

Page Ref: 126