

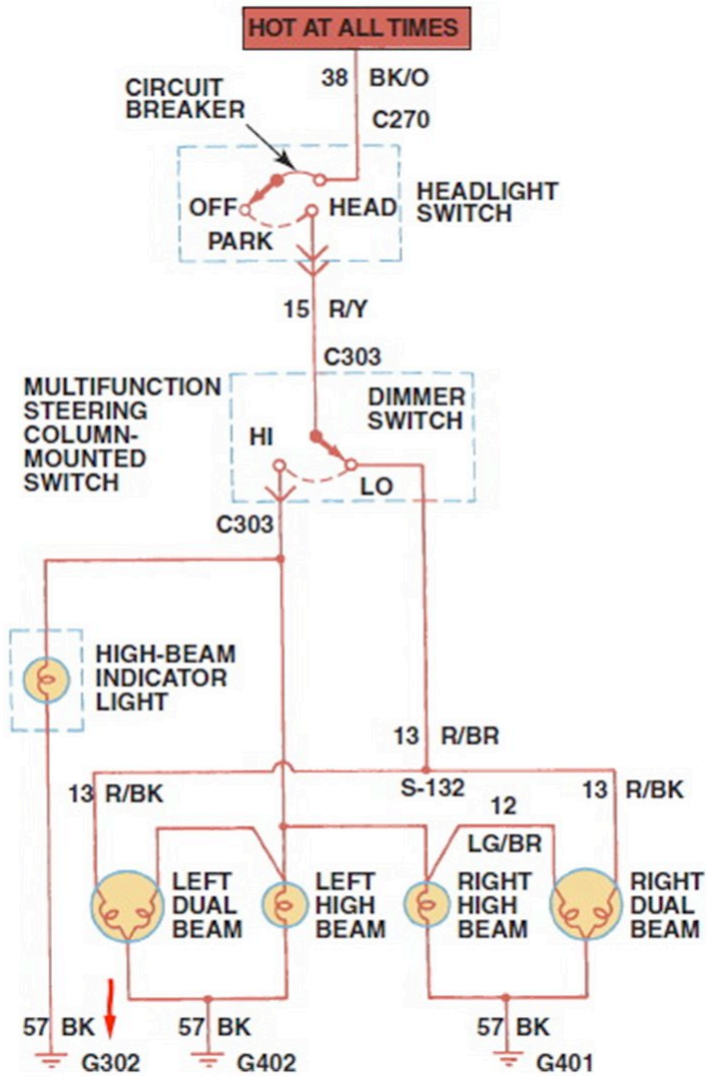
Name _____

MULTIPLE CHOICE. Choose the one alternative that best completes the statement or answers the question.

- 1) Daytime running lights (DRLs) turn on the _____ when in operation. 1) _____
A) headlights in series or separate lights
B) side marker lights
C) driving lights
D) fog lights
- 2) A rear view mirror is being tested for proper auto-dimming operation. What should the technician check for? 2) _____
A) Make sure that the green power indicator light is on
B) Make sure that the power indicator light is red, then green
C) Check the operation of the dimmer knob
D) Open the mirror to check the fluid level (gel content)
- 3) Technician A says that automotive bulbs are identified by trade numbers. Technician B says that the trade number is the different for each manufacturer for the exact same bulb specification. Who is right? 3) _____
A) Technician A only
B) Technician B only
C) Both technicians
D) Neither technician
- 4) Headlights can be aimed by using _____. 4) _____
A) an aiming screen
B) a bubble level
C) Either A or B
D) Neither A nor B

5) What would be the result if G302 was disconnected?

5) _____



- A) No high beam headlights
- B) No high beam indicator light
- C) Dim High beams
- D) No effect

6) What type of light bulb should not be touched using bare hands?

6) _____

- A) 1157 or 2057 bulb
- B) Halogen bulb
- C) LED bulbs
- D) HID bulbs

- 7) Technician A says that high-intensity discharge (HID) headlights are brighter and have a blue tint. Technician B says that one defective turn signal bulb can cause the turn signal on the affected side to stop blinking (flashing). Which technician is correct? 7) _____
- A) Technician A only
 - B) Technician B only
 - C) Both technicians A and B
 - D) Neither technician A nor B
- 8) Technician A says that daytime running lights (DRLs) light the headlights, usually at reduced intensity, whenever the engine is running. Technician B says high-intensity discharge (HID) headlights are brighter and have a yellow tint. Who is right? 8) _____
- A) Technician A only
 - B) Technician B only
 - C) Both technicians
 - D) Neither technician
- 9) All recent vehicles use _____ to control most lighting systems in the vehicle. 9) _____
- A) small toggle switches
 - B) the BCM
 - C) push buttons
 - D) fiber optics
- 10) Light emitting diodes (LEDs) are used for lighting because they _____. 10) _____
- A) light quicker (faster illumination)
 - B) have longer service life
 - C) have lower current draw
 - D) Any of the above

Answer Key

Testname: AEEP8_21B

- 1) A
Page Ref: 320
- 2) A
Page Ref: 329
- 3) A
Page Ref: 315
- 4) C
Page Ref: 328
- 5) B
Page Ref: 322
- 6) B
Page Ref: 320
- 7) A
Page Ref: 319, 323
- 8) A
Page Ref: 320, 323
- 9) B
Page Ref: 314
- 10) D
Page Ref: 316