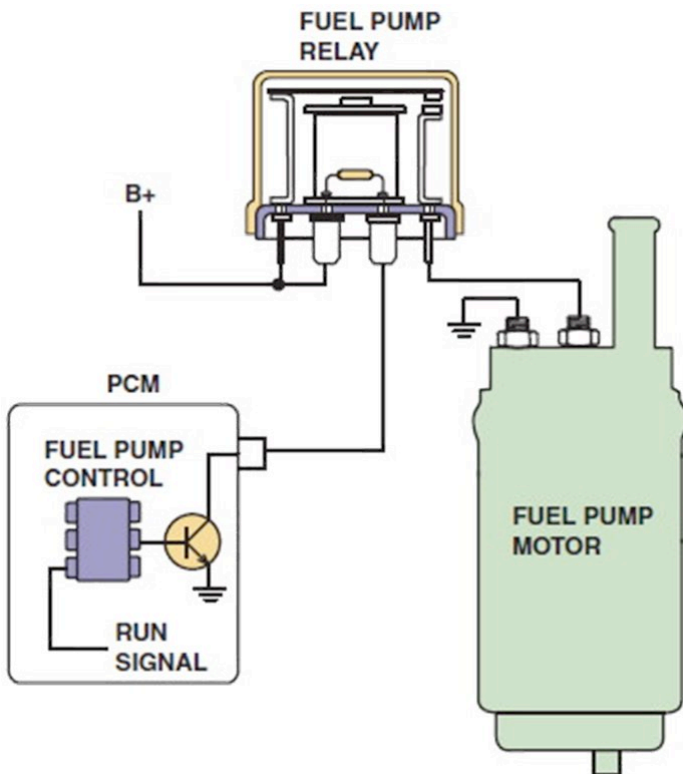


Name _____

MULTIPLE CHOICE. Choose the one alternative that best completes the statement or answers the question.

- 1) What unit of electricity is used as a signal for a computer? 1) _____
A) Volt
B) Ohm
C) Ampere
D) Watt
- 2) The "brain" of the computer is the _____. 2) _____
A) PROM
B) RAM
C) CPU
D) AD converter
- 3) Refer to this diagram of a fuel pump control circuit. What type of a driver circuit is used in this circuit? 3) _____



- A) Low-side driver circuit
B) High-side driver circuit
C) PWM driver circuit
D) Duty cycle driver circuit

- 4) All OBDII vehicles use what type of read-only memory? 4) _____
A) ROM
B) PROM
C) EPROM
D) EEPROM
- 5) The SAE term for the vehicle computer is _____. 5) _____
A) PCM
B) ECM
C) ECA
D) controller
- 6) On a PWM controlled device, the ratio of on time relative to the period of the complete cycle is the _____. 6) _____
A) duty cycle
B) pulse width modulation
C) frequency
D) amplitude
- 7) Which computer component generates a steady stream of one-bit long voltage pulses? 7) _____
A) Clock generator
B) Central processing unit
C) Volatile memory
D) Capacitor
- 8) Which term describes the speed of data transmission? 8) _____
A) Baud rate
B) Oscillator speed
C) Frequency
D) Pulse width modulation
- 9) Which component contains the information in the computer that is specific to the particular model vehicle? 9) _____
A) PROM, EPROM, or EEPROM
B) RAM
C) Transistor
D) Analog to digital converter
- 10) What two things can a vehicle computer actually perform (output)? 10) _____
A) Store and process information
B) Turn something on or turn something off
C) Calculate and vary temperature
D) Control fuel and timing only

Answer Key

Testname: AEEP8_13B

1) A

Page Ref: 194

2) C

Page Ref: 195

3) A

Page Ref: 199

4) D

Page Ref: 195

5) A

Page Ref: 194

6) A

Page Ref: 200

7) A

Page Ref: 196

8) A

Page Ref: 197

9) A

Page Ref: 196

10) B

Page Ref: 194