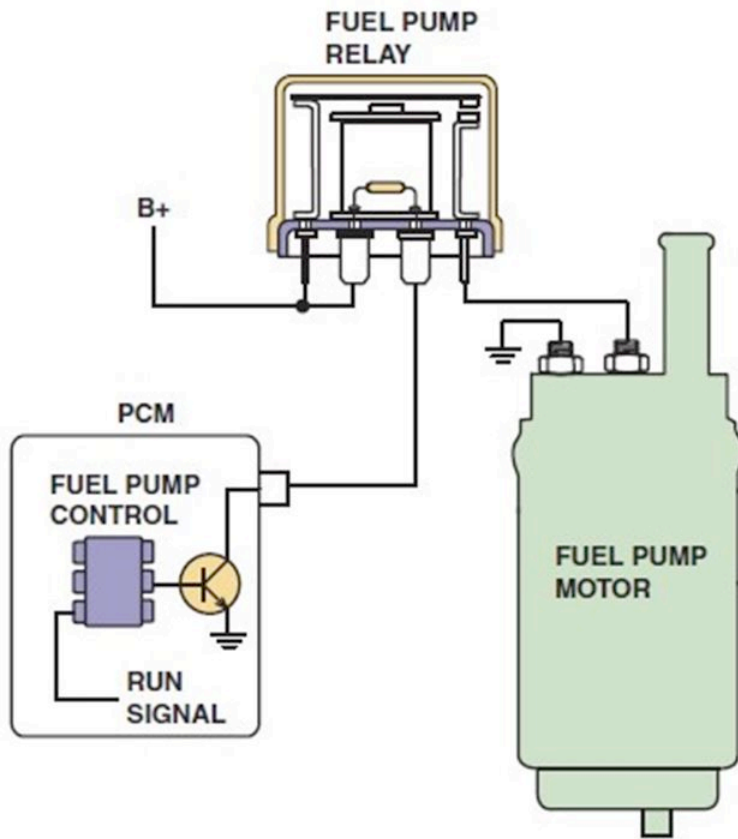


Name \_\_\_\_\_

**MULTIPLE CHOICE. Choose the one alternative that best completes the statement or answers the question.**

- 1) What unit of electricity is used as a signal for a computer? 1) \_\_\_\_\_  
A) Volt  
B) Ohm  
C) Ampere  
D) Watt
  
- 2) Which term describes the process of adjusting variables such as speed, load, and spark timing to determine the optimum output settings for the computer? 2) \_\_\_\_\_  
A) Engine mapping  
B) Signal conditioning  
C) Performance programming  
D) Reflashing
  
- 3) The four basic computer functions include \_\_\_\_\_. 3) \_\_\_\_\_  
A) Writing, processing, printing, and remembering  
B) Input, processing, storage, and output  
C) Data gathering, processing, output, and evaluation  
D) Sensing, calculating, actuating, and processing
  
- 4) A numbering system that contains only two digits is called a \_\_\_\_\_ system. 4) \_\_\_\_\_  
A) Binary  
B) Hexadecimal  
C) Base 10  
D) Volatile
  
- 5) All OBD-II vehicles use what type of read-only memory? 5) \_\_\_\_\_  
A) ROM  
B) PROM  
C) EPROM  
D) EEPROM

6) Refer to this diagram of a fuel pump control circuit. What type of a driver circuit is used in this circuit? 6) \_\_\_\_\_



- A) Low-side driver circuit
- B) High-side driver circuit
- C) PWM driver circuit
- D) Duty cycle driver circuit

7) The "brain" of the computer is the \_\_\_\_\_. 7) \_\_\_\_\_

- A) PROM
- B) RAM
- C) CPU
- D) AD converter

8) Which computer function describes how the computer handles inputs? 8) \_\_\_\_\_

- A) Process
- B) Input
- C) Storage
- D) Output

9) Which computer component generates a steady stream of one-bit long voltage pulses? 9) \_\_\_\_\_

- A) Clock generator
- B) Central processing unit
- C) Volatile memory
- D) Capacitor

10) Computer speed is measured in \_\_\_\_\_.

- A) Baud rate
- B) Clock speed (Hz)
- C) Voltage
- D) Bytes

10) \_\_\_\_\_

## Answer Key

Testname: AEE6\_16B

1) A

Page Ref: 189

2) A

Page Ref: 191

3) B

Page Ref: 189

4) A

Page Ref: 191

5) D

Page Ref: 190

6) A

Page Ref: 194

7) C

Page Ref: 191

8) A

Page Ref: 191

9) A

Page Ref: 191

10) B

Page Ref: 192