

Name _____

MATCHING. Choose the item in column 2 that best matches each item in column 1.

1) More loads in parallel

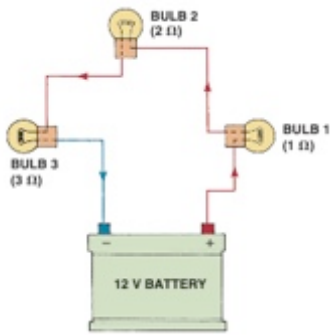
A) Parallel circuit

1) _____

2) Current adds together for total current

B) Lowers resistance

2) _____



C) Increases current

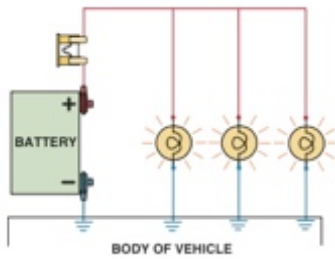
D) Series circuit

3) _____

3) _____

4) Loads in parallel

4) _____



5) _____

5) _____

Answer Key

Testname: AEE6_MATCH7

1) C

Page Ref: 80

2) A

Page Ref: 80

3) D

Page Ref: 73

4) B

Page Ref: 80

5) A

Page Ref: 79