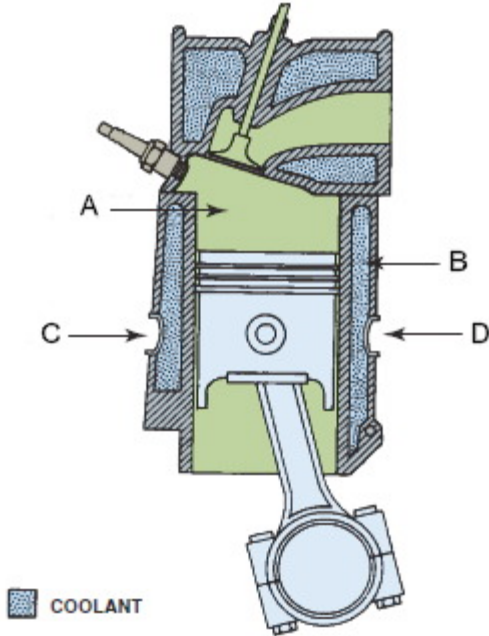


Name _____

MULTIPLE CHOICE. Choose the one alternative that best completes the statement or answers the question.

1) Which one of these areas is the water jacker? _____

1) _____



- A) A
- B) B
- C) C
- D) D

2) The use of a coolant recovery machine is helpful in preventing _____ from entering the cooling system.

2) _____

- A) Air
- B) Oil
- C) Excessive vibrations
- D) Hose residue

3) The normal operating temperature (coolant temperature) of an engine equipped with a 195°F thermostat is _____.

3) _____

- A) 175°F to 195°F
- B) 185°F to 205°F
- C) 195°F to 215°F
- D) 175°F to 215°F

- 4) Technician A says that the purpose and function of the cooling system is to maintain proper engine operating temperature. Technician B says that the water pump controls engine coolant temperature by opening at its rated opening temperature to allow coolant to flow through the radiator. Which technician is correct? 4) _____
- A) Technician A
 - B) Technician B
 - C) Both technicians
 - D) Neither technician
- 5) What diagnostic trouble code (DTC) could be set if the thermostat is defective? 5) _____
- A) P0300
 - B) P0171
 - C) P0440
 - D) P0128
- 6) A 5 ribbed serpentine belt should be tensioned at about _____. 6) _____
- A) 75 to 100 lbs.
 - B) 45 to 60 lbs.
 - C) 150 lbs.
 - D) None of these
- 7) Heat transfer is improved from the coolant to the air when the _____. 7) _____
- A) Temperature difference is great
 - B) Temperature difference is small
 - C) Coolant is 95% antifreeze
 - D) Both A and C
- 8) Which statement is TRUE about thermostats? 8) _____
- A) The temperature marked on the thermostat is the temperature at which the thermostat should be fully open
 - B) Thermostats often cause overheating
 - C) The temperature marked on the thermostat is a temperature at which the thermostat should start to open.
 - D) Both A and B
- 9) Which of these is the right procedure to use when refilling an empty cooling system? 9) _____
- A) Determine capacity; fill with 50/50 coolant/water or pre-mixed coolant
 - B) Fill completely with antifreeze with a 50/50 mix in the overflow bottle
 - C) Fill block and one half of the radiator with 100% pure antifreeze and fill rest of with water
 - D) Fill radiator with antifreeze, start engine, drain the radiator, and refill with a 50/50 mixture of antifreeze and water
- 10) Which of these is NOT a type of hose clamp? 10) _____
- A) Worm-type
 - B) Nylon strap
 - C) Banded-type
 - D) Spring-type

Answer Key

Testname: ENGINES9_14A

1) B

Page Ref: 160

2) A

Page Ref: 175

3) C

Page Ref: 162

4) A

Page Ref: 161

5) D

Page Ref: 159

6) A

Page Ref: 174

7) A

Page Ref: 162

8) C

Page Ref: 161

9) A

Page Ref: 175

10) B

Page Ref: 176