

Name _____

MULTIPLE CHOICE. Choose the one alternative that best completes the statement or answers the question.

- 1) Heat transfer is improved from the coolant to the air when the _____. 1) _____
 - A) temperature difference is great
 - B) temperature difference is small
 - C) coolant is 95% antifreeze
 - D) both A and C

- 2) What diagnostic trouble code (DTC) could be set if the thermostat is defective? 2) _____
 - A) P0300
 - B) P0171
 - C) P0440
 - D) P0128

- 3) The use of a coolant recovery machine is helpful in preventing _____ from entering the cooling system. 3) _____
 - A) air
 - B) oil
 - C) excessive vibrations
 - D) hose residue

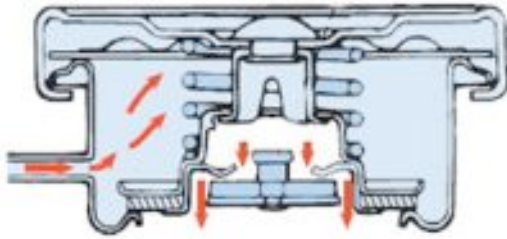
- 4) Which statement is TRUE about thermostats? 4) _____
 - A) The temperature marked on the thermostat is the temperature at which the thermostat should be fully open.
 - B) Thermostats often cause overheating.
 - C) The temperature marked on the thermostat is a temperature at which the thermostat should start to open.
 - D) Both A and B

- 5) An automotive engine that running at too high of a temperature will have which of these? 5) _____
 - A) Excessive oil consumption
 - B) Poor cooling system circulation
 - C) High oxides of carbon
 - D) High thermal inefficiency

- 6) The normal operating temperature (coolant temperature) of an engine equipped with a 195°F thermostat is _____. 6) _____
 - A) 175°F to 195°F
 - B) 185°F to 205°F
 - C) 195°F to 215°F
 - D) 175°F to 215°F

7) In this drawing of a radiator cap, what is occurring within the cooling system?

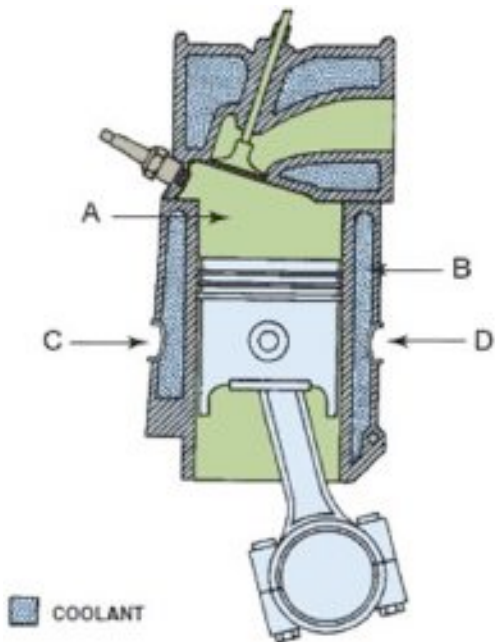
7) _____



- A) The system is cooling down
- B) The system is overheating
- C) Coolant is returning to the radiator
- D) Both A and C

8) Which one of these areas is the water jacker?

8) _____



- A) A
- B) B
- C) C
- D) D

9) Electric cooling fans are typically commanded on and off by the _____.

9) _____

- A) powertrain control module (PCM)
- B) thermostat
- C) radiator pressure sensor (RPS)
- D) cooling system delta sensor

10) If a cooling system operates at too cool of a temperature, the engine will _____.

10) _____

- A) produce more torque
- B) have more efficiency
- C) pre-ignite or detonate
- D) produce acids in the oil

Answer Key

Testname: AT6_21A

1) A

Page Ref: 201

2) D

Page Ref: 195

3) A

Page Ref: 209

4) C

Page Ref: 196

5) A

Page Ref: 196

6) C

Page Ref: 197

7) D

Page Ref: 201

8) B

Page Ref: 196

9) A

Page Ref: 205

10) D

Page Ref: 195