

Alternator Diode Trio Testing

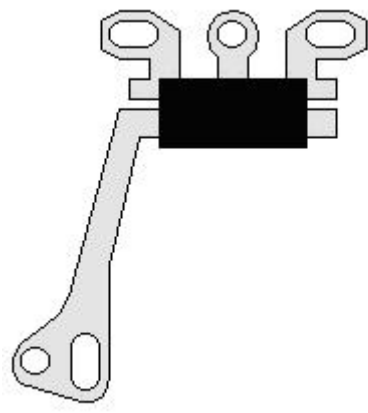
Meets ASE Task: Not specified by ASE

Name _____ Date _____ Time on Task _____

Make/Model/Year _____ VIN _____ Evaluation: 4 3 2 1

____ 1. Identify the type of alternator being serviced:

____ 2. Visually check the diode trio for physical damage.
OK _____ NOT OK _____



____ 3. Set a digital multimeter (DMM) to the diode-check position.

____ 4. Touch the black lead of the meter to the output (single leg) of the diode trio.

____ 5. Touch the red meter lead to each of the separate legs of the diode trio and record the readings [should be 0.4 volt (400 mV) to 0.6 volt (600 mV)].

#1 = _____
#2 = _____
#3 = _____

OK _____ NOT OK _____

____ 6. Remove the meter leads and retest (should read OL).

#1 = _____
#2 = _____
#3 = _____

OK _____ NOT OK _____