

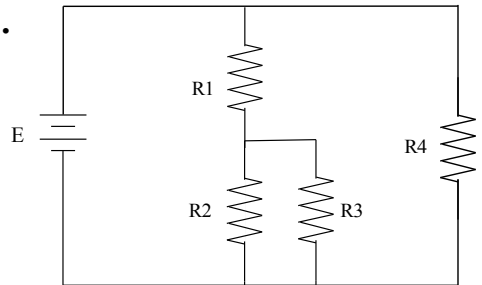
Series-Parallel Circuit Worksheet #3

Meets ASE Task: (A6-A-2) Diagnose Electrical/Electronic Integrity for Series, Parallel, and Series-Parallel Circuits Using Principles of Electricity (Ohm's Law). (P-1)

Name _____ Date _____ Time on Task _____

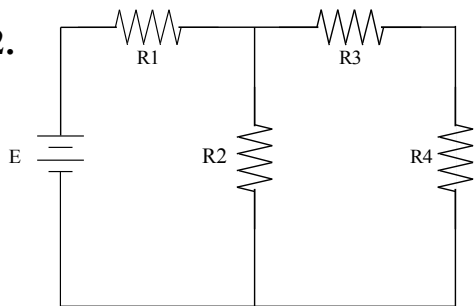
Make/Model/Year _____ VIN _____ Evaluation: 4 3 2 1

1.



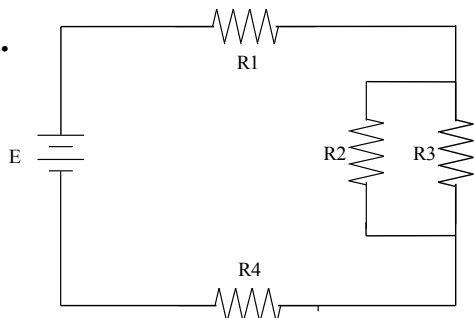
E = 12 volts
 $I_T = 2$ amperes
R1 = 6 ohms
R2 = 12 ohms
R3 = _____
R4 = 12 ohms

2.



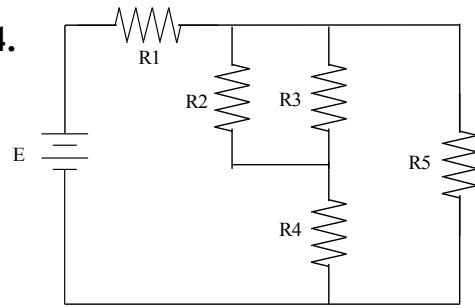
E = 24 volts
 $I_T =$ _____
R1 = 2 ohms
R2 = 8 ohms
R3 = 4 ohms
R4 = 4 ohms

3.



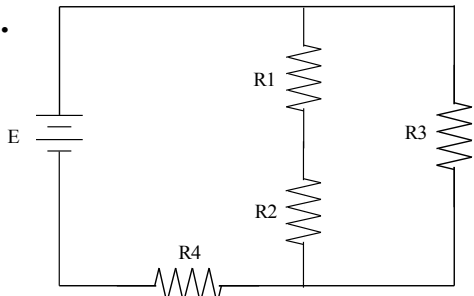
E = _____
 $I_T = 1$ ampere
R1 = 2 ohms
R2 = 12 ohms
R3 = 12 ohms
R4 = 4 ohms

4.



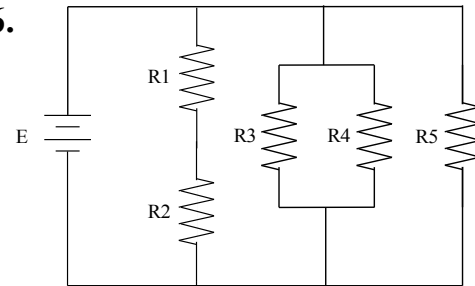
E = 24 volts
 $I_T =$ _____
R1 = 6 ohms
R2 = 12 ohms
R3 = 12 ohms
R4 = 6 ohms
R5 = 12 ohms

5.



E = 24 volts
 $I_T = 6$ amperes
R1 = 2 ohms
R2 = 2 ohms
R3 = _____
R4 = 2 ohms

6.



E = _____
 $I_T = 12$ amperes
R1 = 4 ohms
R2 = 4 ohms
R3 = 16 ohms
R4 = 16 ohms
R5 = 4 ohms