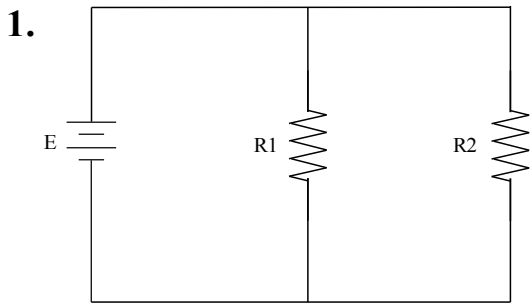


Parallel Circuit Worksheet #1

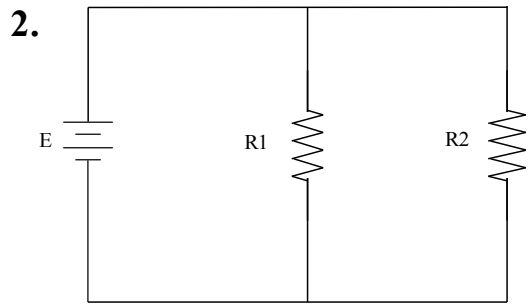
Meets ASE Task: (A6-A-2) Diagnose Electrical/Electronic Integrity for Series, Parallel, and Series-Parallel Circuits Using Principles of Electricity (Ohm's Law). (P-1)

Name _____ Date _____ Time on Task _____

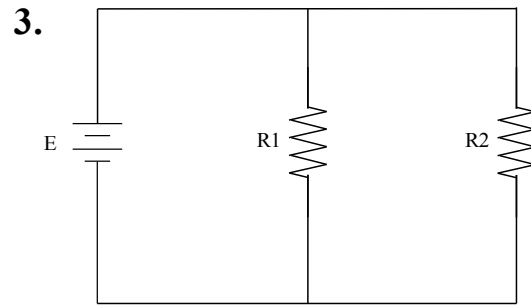
Make/Model/Year _____ VIN _____ Evaluation: 4 3 2 1



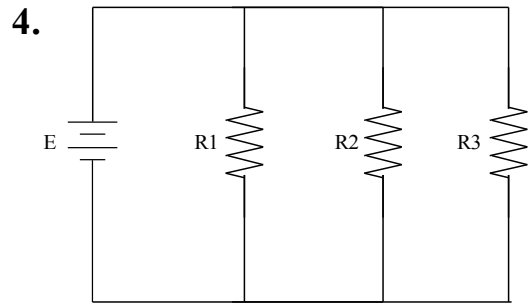
$E = 12 \text{ volts}$ $R1 = 4 \text{ ohms}$
 $I_T = \underline{\hspace{2cm}}$ $R2 = 4 \text{ ohms}$



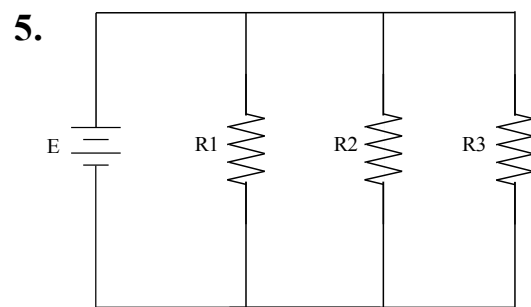
$E = 12 \text{ volts}$ $R1 = 6 \text{ ohms}$
 $I_T = 4 \text{ amperes}$ $R2 = \underline{\hspace{2cm}}$



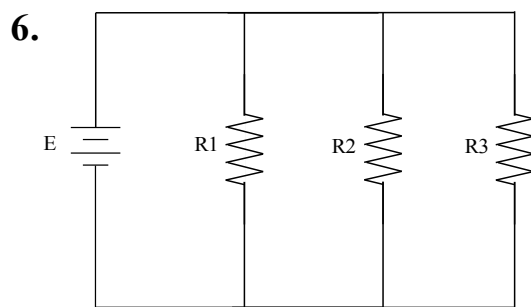
$E = 12 \text{ volts}$ $R1 = 12 \text{ ohms}$
 $I_T = \underline{\hspace{2cm}}$ $R2 = 12 \text{ ohms}$



$E = 12 \text{ volts}$ $R2 = 4 \text{ ohms}$
 $I_T = \underline{\hspace{2cm}}$ $R3 = 2 \text{ ohms}$
 $R1 = 4 \text{ ohms}$



$E = \underline{\hspace{2cm}}$ $R2 = 4 \text{ ohms}$
 $I_T = 12 \text{ amperes}$ $R3 = 4 \text{ ohms}$
 $R1 = 2 \text{ ohms}$



$E = 12 \text{ volts}$ $R2 = \underline{\hspace{2cm}}$
 $I_T = 12 \text{ amperes}$ $R3 = 2 \text{ ohms}$
 $R1 = 4 \text{ ohms}$