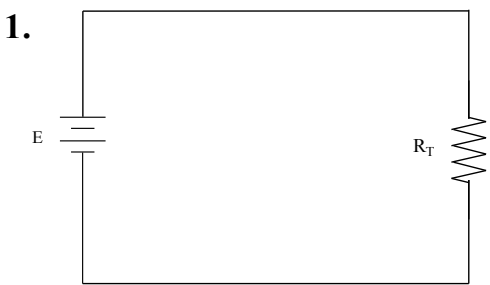


Series Circuit Worksheet #1

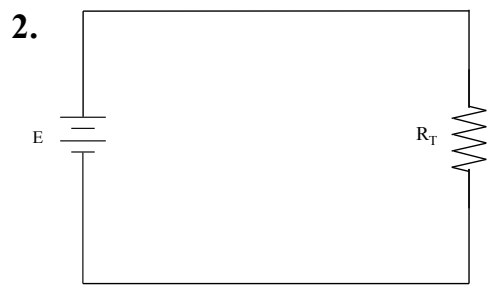
Meets ASE Task: (A6-A-2) Diagnose electrical/electronic integrity for series, parallel, and series-parallel circuits using principles of electricity. (Ohm's Law). (P-1)

Name _____ Date _____ Time on Task _____

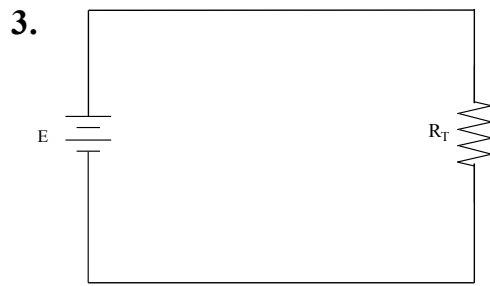
Make/Model/Year _____ VIN _____ Evaluation: 4 3 2 1



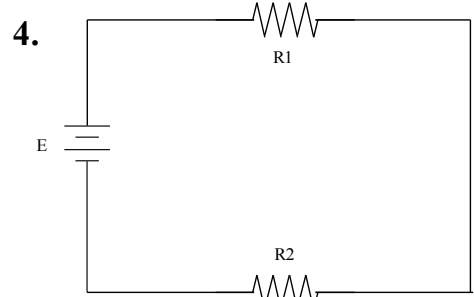
E = 12 volts
I_T = 3 amperes
R_T = _____



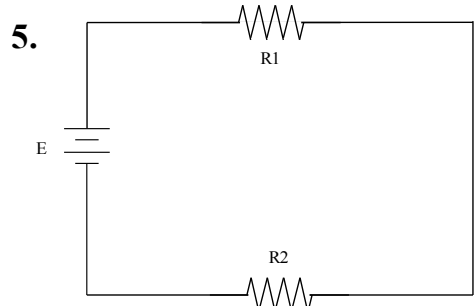
E = 12 volts
I_T = _____
R_T = 3 ohms



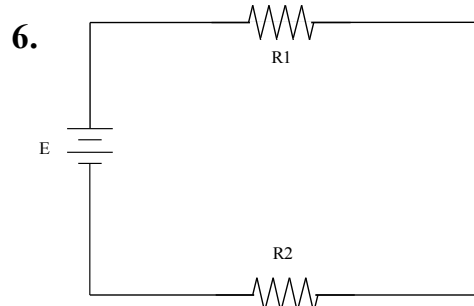
E = _____
I_T = 3 amperes
R_T = 4 ohms



E = 12 volts
I_T = _____
R1 = 1 ohm
R2 = 1 ohm



E = _____
I_T = 2 amperes
R1 = 3 ohms
R2 = 3 ohms



E = 12 volts
I_T = 3 amperes
R1 = 3 ohms
R2 = _____