

Drum Brake Identification

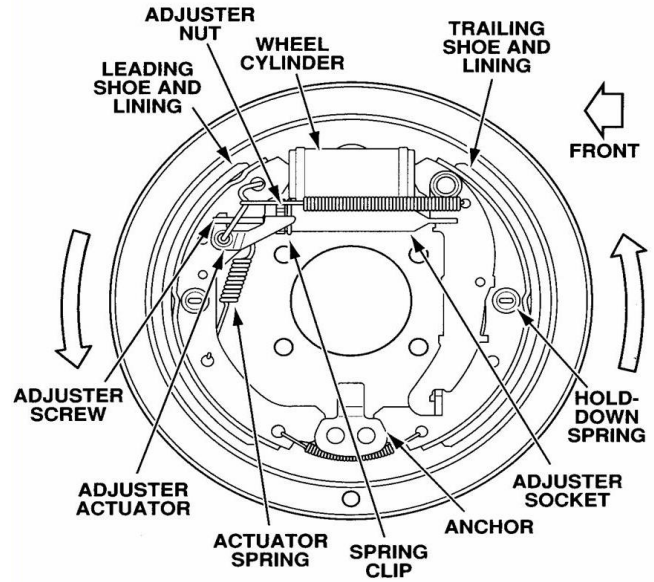
Meets ASE Task: (A5-A-2) P-1 Research applicable vehicle and service information, such as brake system operation, vehicle service history, service precautions and TSBs.

Name _____ Date _____ Time on Task _____

Make/Model/Year _____ VIN _____ Evaluation: 4 3 2 1

_____ 1. Check service information and determine the following information regarding the drum brake design and features for the vehicle (check all that apply):

- _____ Dual servo
- _____ Leading trailing
- _____ Clip-on wheel cylinder
- _____ Bolted on wheel cylinder
- _____ Cast iron brake drum
- _____ Aluminum brake drum
- _____ Single U-spring design
- _____ Clip-type holddown
- _____ Coil-spring holddown
- _____ Cable-operated self adjust
- _____ Other (describe) _____
- _____
- _____



_____ 2. What is the brake drum diameter?

_____ 3. What is the minimum allowable lining thickness?

_____ 4. What is the maximum allowable brake drum diameter?
