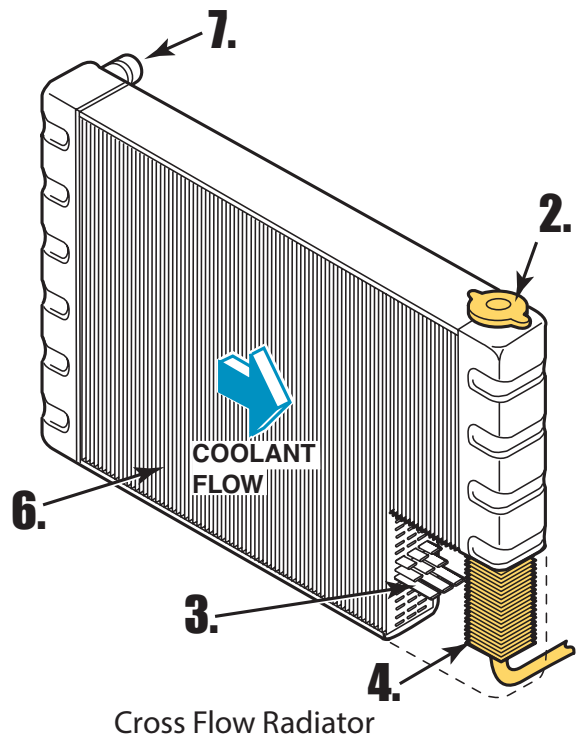
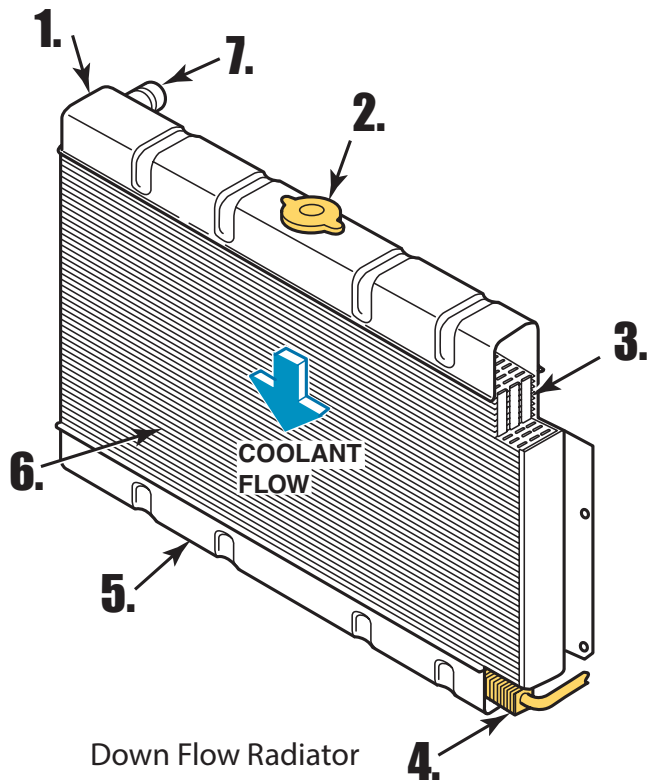


Name: \_\_\_\_\_

## A8 Part ID Worksheet Radiators



1. \_\_\_\_\_

5. \_\_\_\_\_

2. \_\_\_\_\_

6. \_\_\_\_\_

3. \_\_\_\_\_

7. \_\_\_\_\_