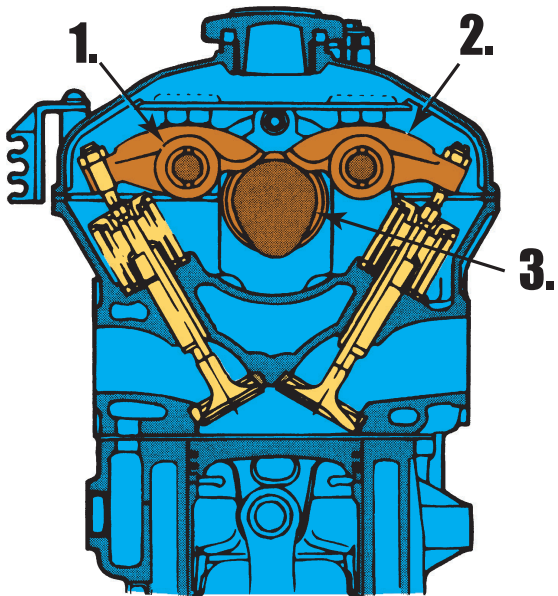
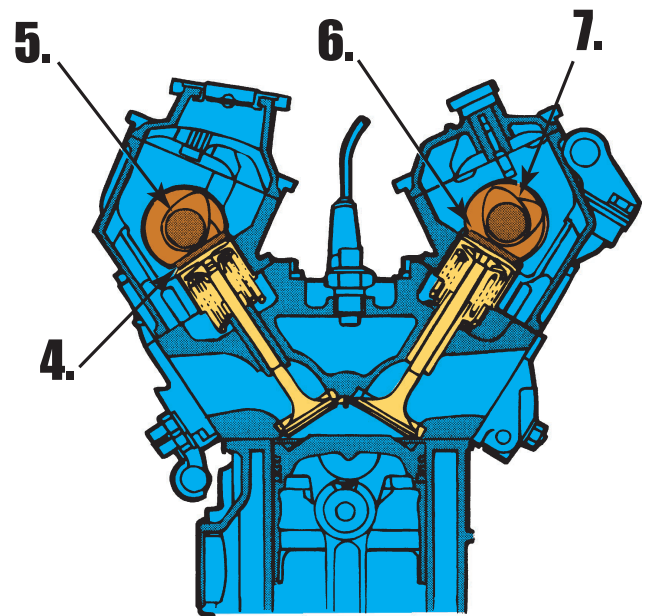


Name: _____

A8 Part ID Worksheet Engine Type Components



SINGLE OVERHEAD CAMSHAFT



DOUBLE OVERHEAD CAMSHAFT

1. _____

2. _____

3. _____

4. _____

5. _____

6. _____

7. _____