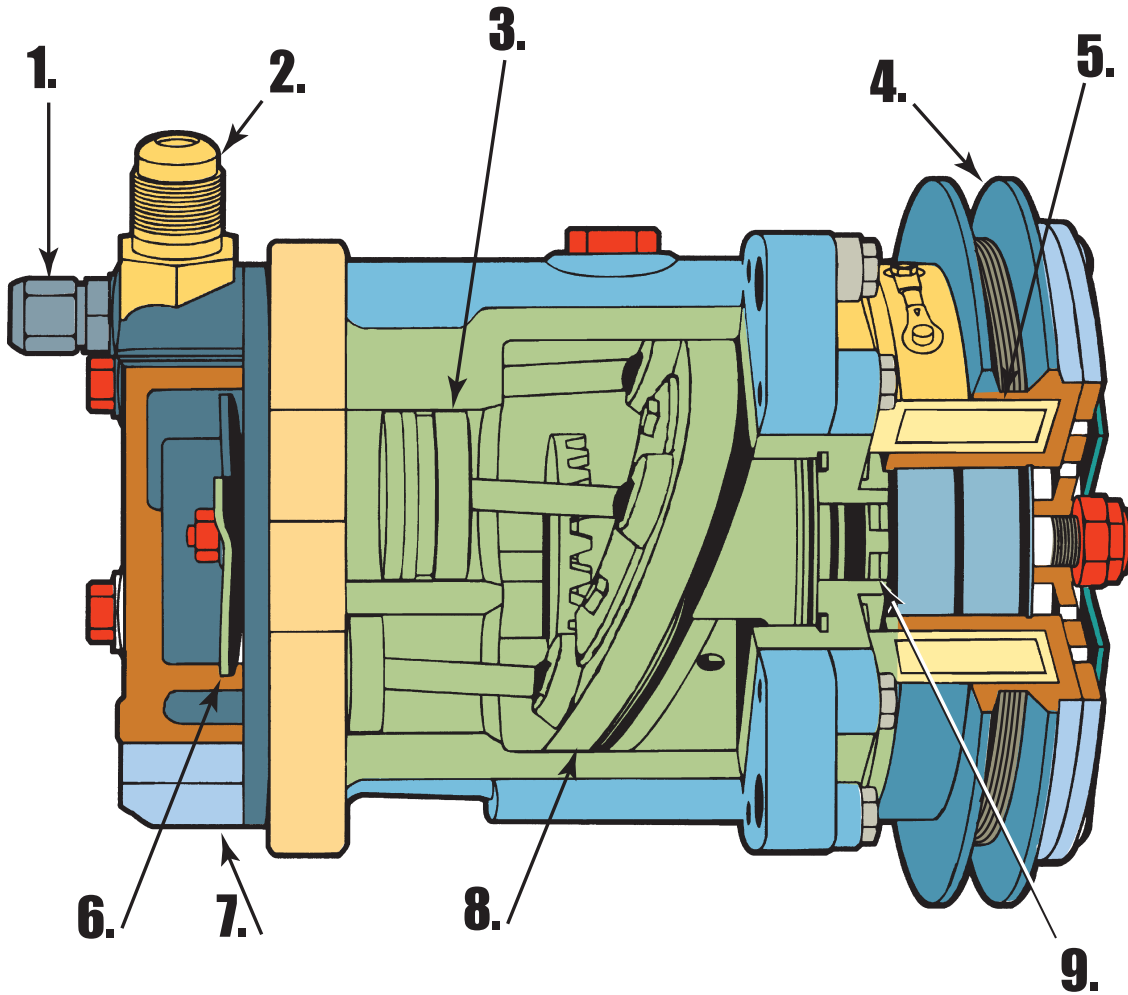


## A7 Part ID Worksheet Compressor



1. SERVICE PORT

2. DISCHARGE PORT

3. PISTON

4. CLUTCH PLATE AND HUB

5. CLUTCH COIL

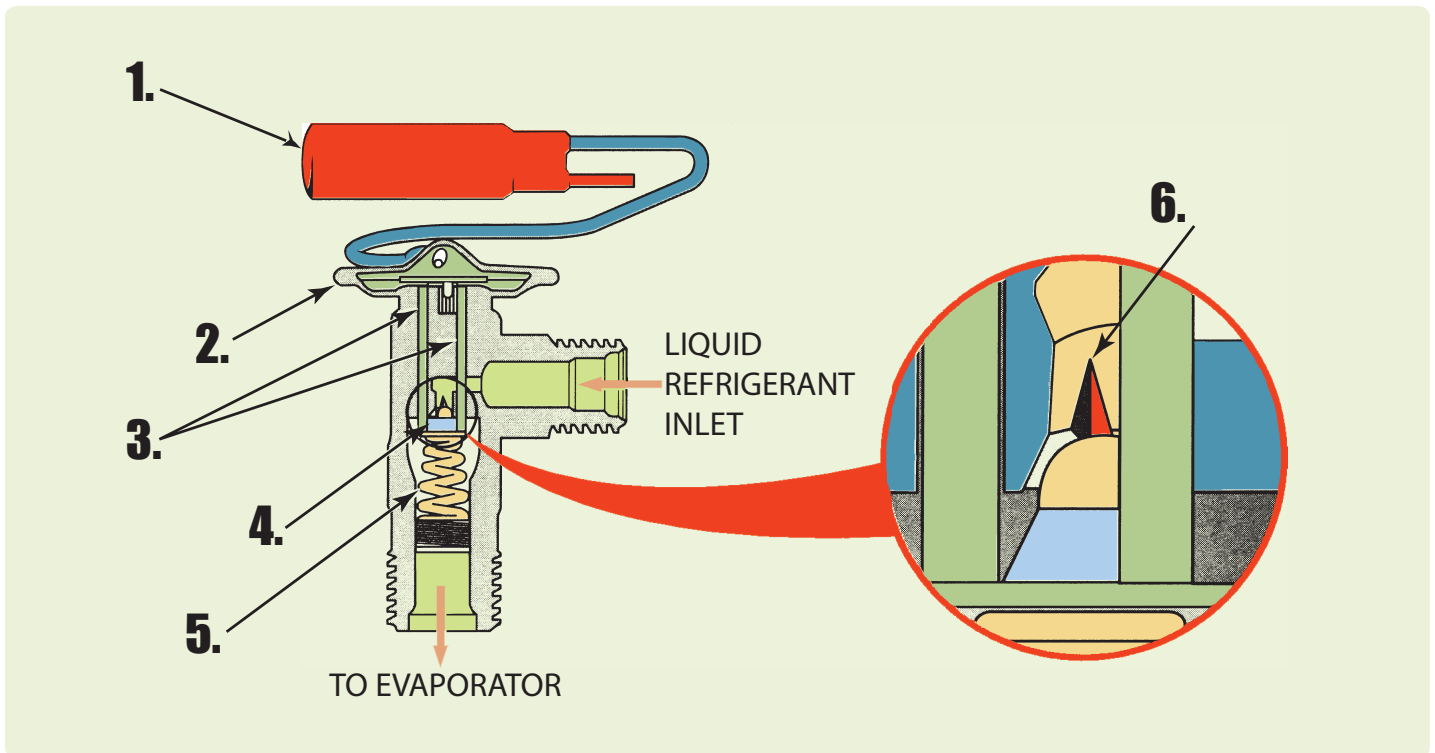
6. DISCHARGE REED VALVE

7. CYLINDER HEAD

8. SWASH PLATE

9. SHAFT SEAL

## A7 Part ID Worksheet Thermal Expansion Valve, TXV



1. SENSING BULB

2. DIAPHRAGM

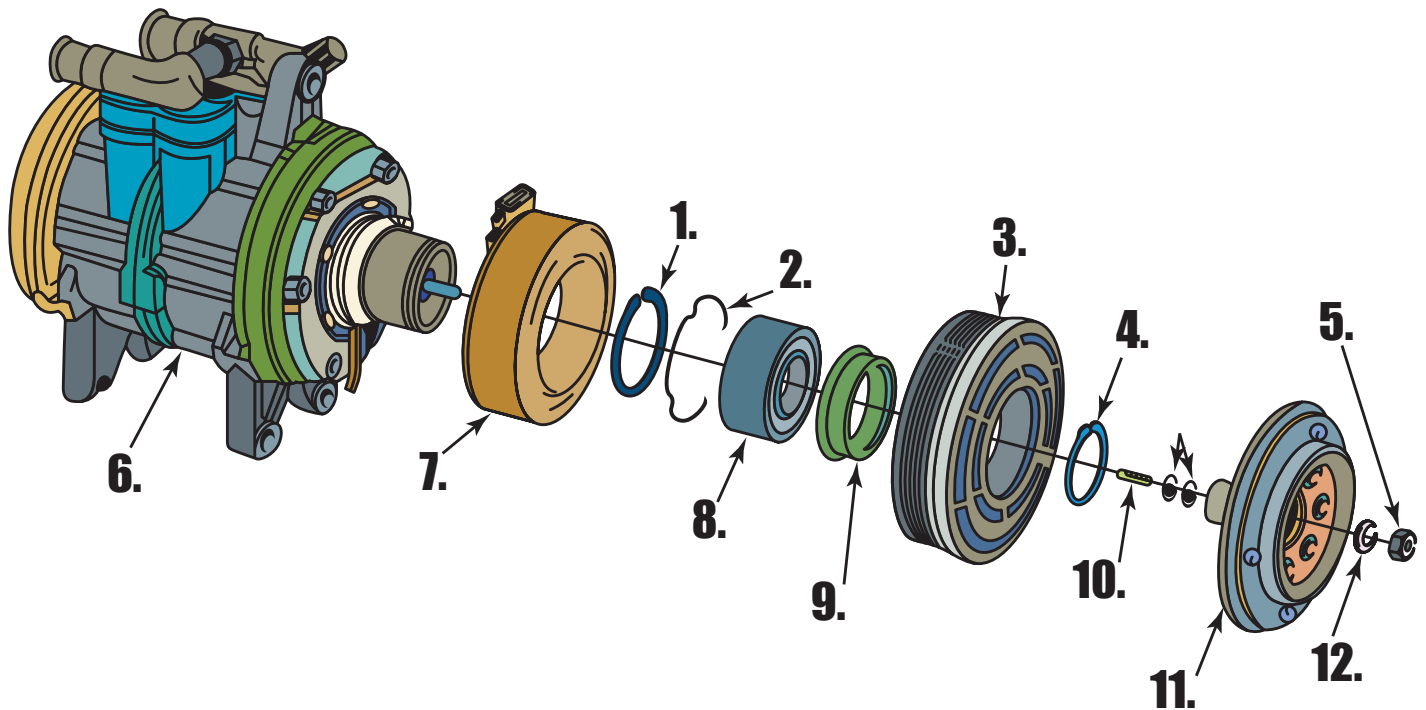
3. PUSH PINS

4. BALL AND PLATE ASSEMBLY

5. EXPANSION VALVE SPRING

6. PINTLE VALVE BALL SEAT  
SLOT

## A7 Part ID Worksheet Electromagnetic Clutch



1. FIELD COIL SNAP RING

2. BEARING RETAINER

3. CLUTCH PULLEY

4. PULLEY SNAP RING

5. NUT

6. COMPRESSOR

7. CLUTCH FIELD COIL

8. PULLEY BEARING

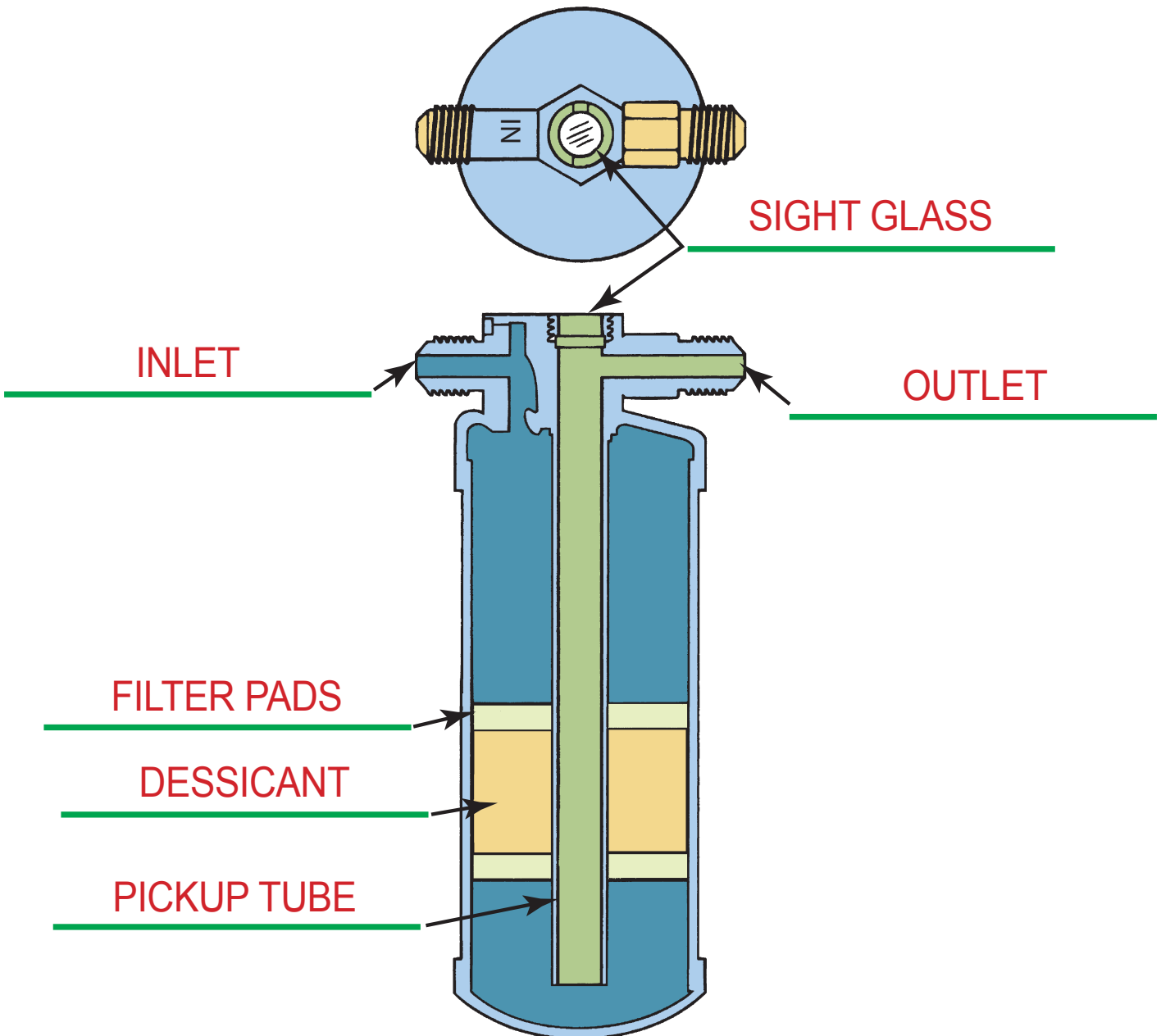
9. DUST SHIELD

10. HUB KEY

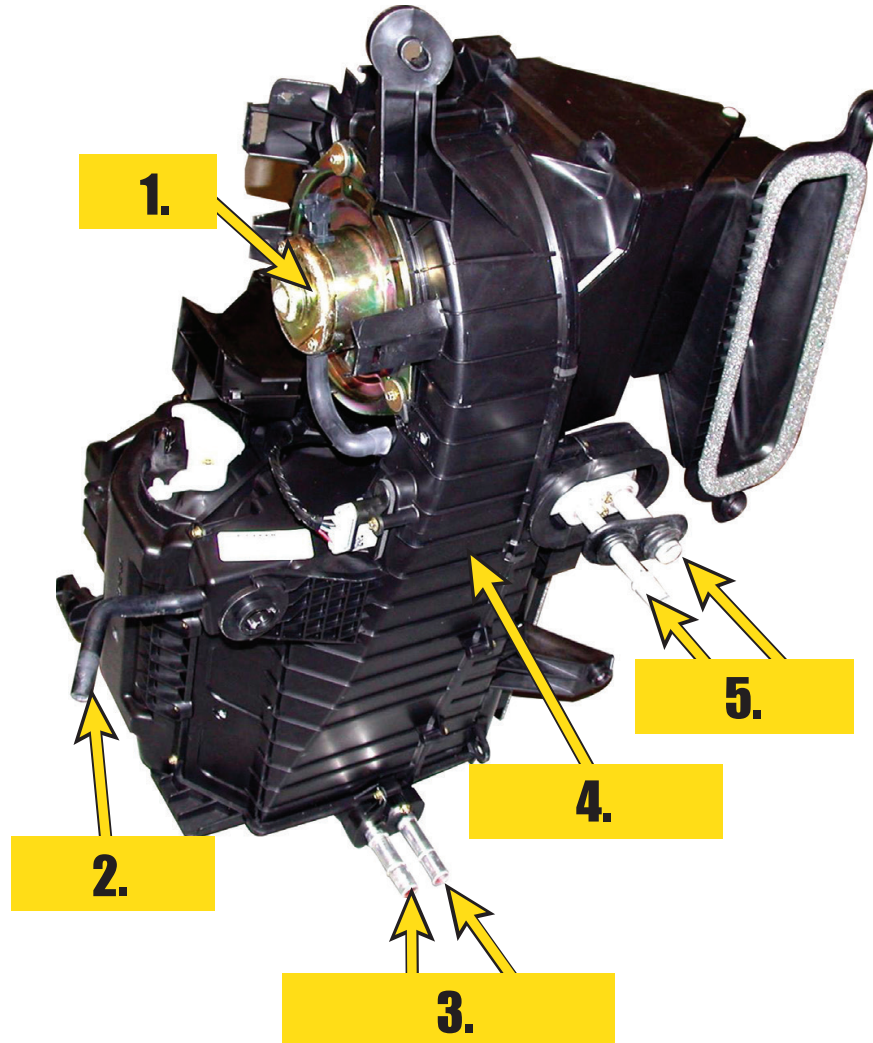
11. CLUTCH HUB

12. LOCKWASHER

## A7 Part ID Worksheet Receiver-Dryer



## A7 Part ID Worksheet AC Case/Housing



1. BLOWER MOTOR

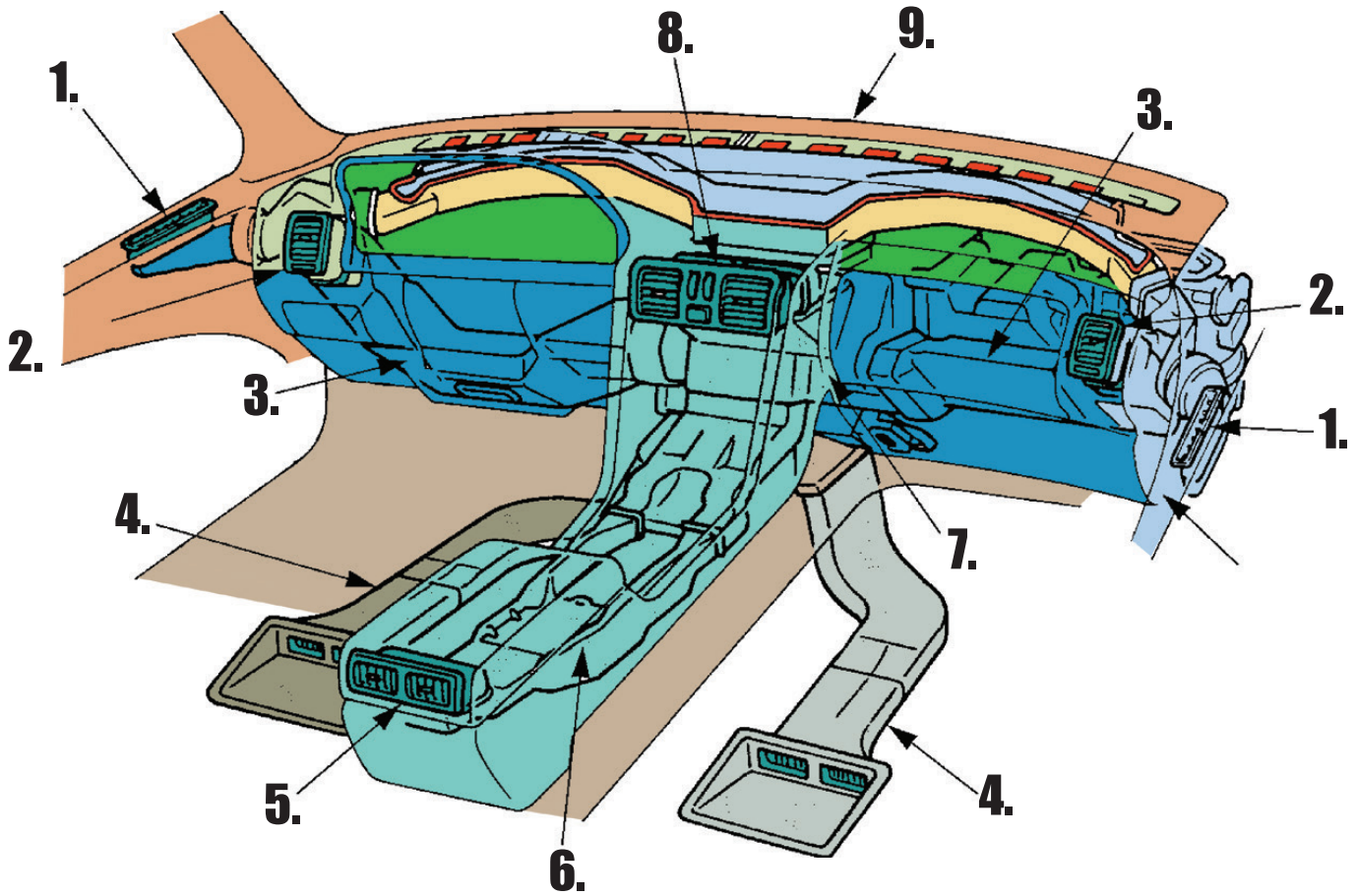
2. CONDENSATE DRAIN

3. REFRIGERANT LINES TO  
EVAPORATOR

4. PLASTIC PLENUM HOUSING

5. HEATER HOSE CONNECTIONS

## A7 Part ID Worksheet HVAC System



1. SIDE DEFROSTER NOZZLE

6. REAR VENT DUCT

2. SIDE VENT

7. HEATER UNIT

3. SIDE VENT DUCT

8. CENTER VENT

4. REAR HEATER DUCT

9. FRONT DEFROSTER NOZZLE

5. REAR VENT