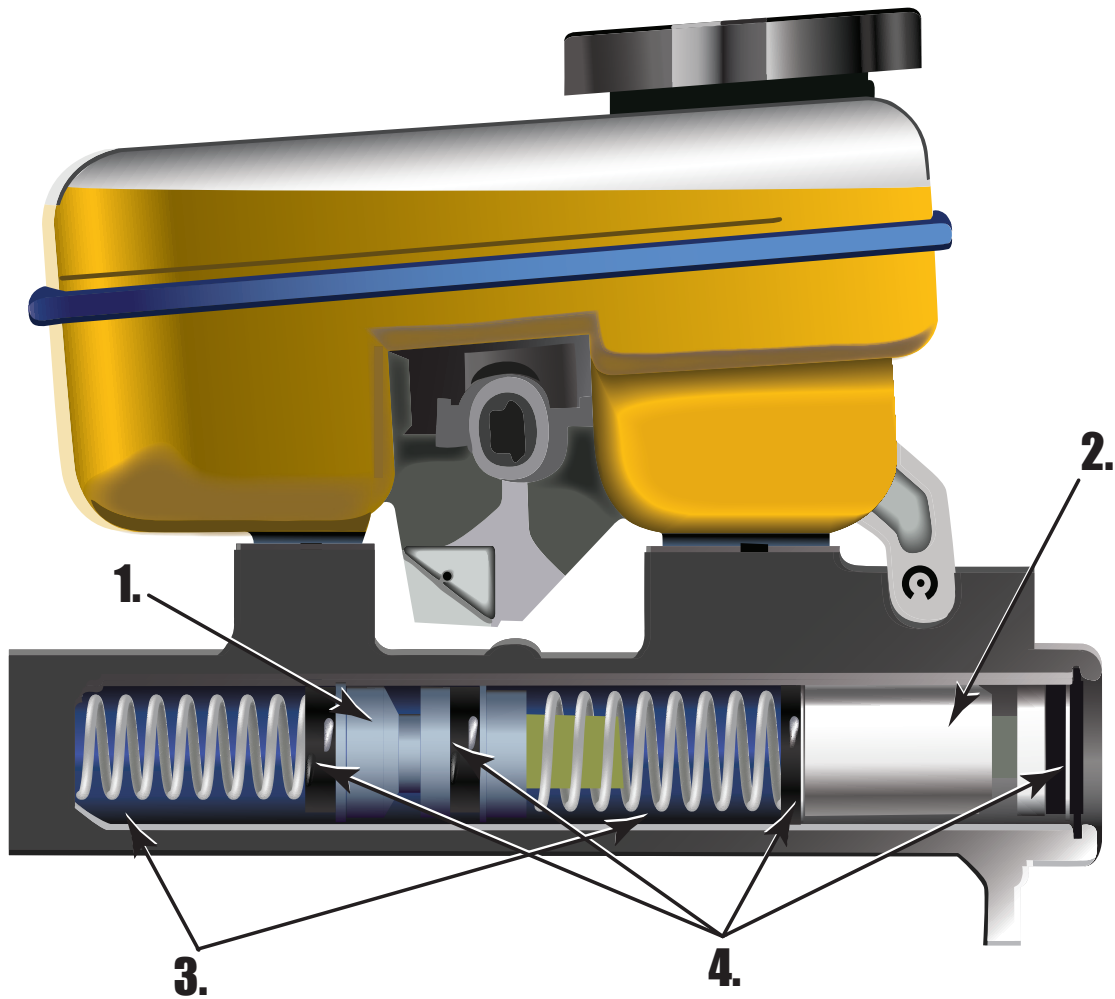


Name: \_\_\_\_\_

## A5 Part ID Worksheet Master Cylinder Components



1. \_\_\_\_\_

3. \_\_\_\_\_

2. \_\_\_\_\_

4. \_\_\_\_\_