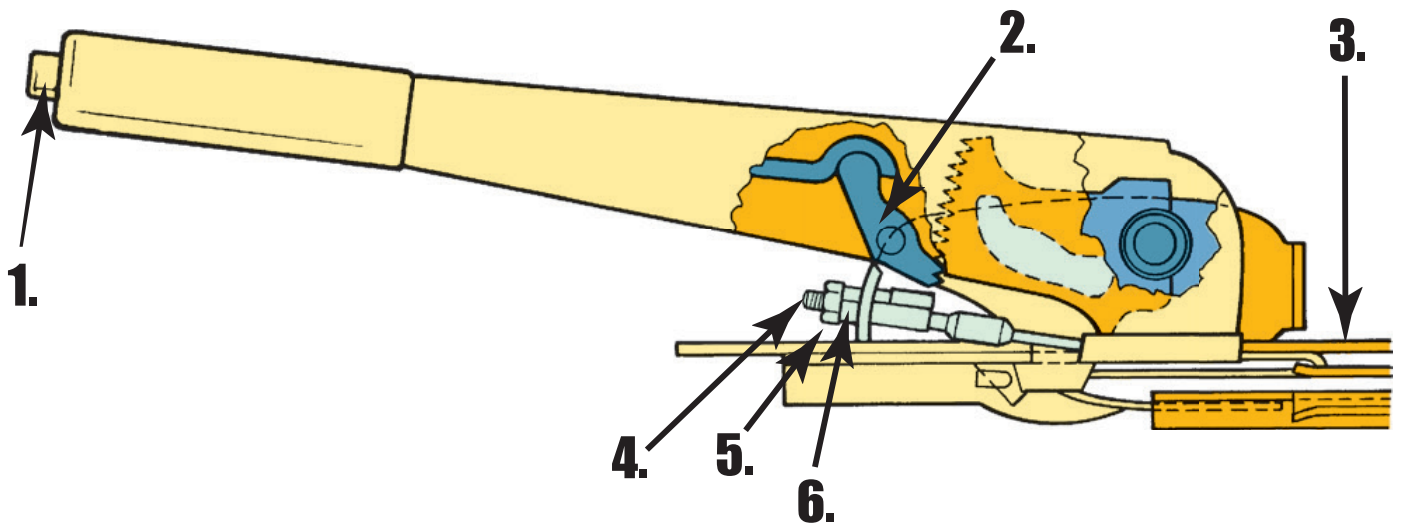


A5 Part ID Worksheet Hand Brake Components



1. **RELEASE BUTTON**

2. **PAWL**

3. **CABLE**

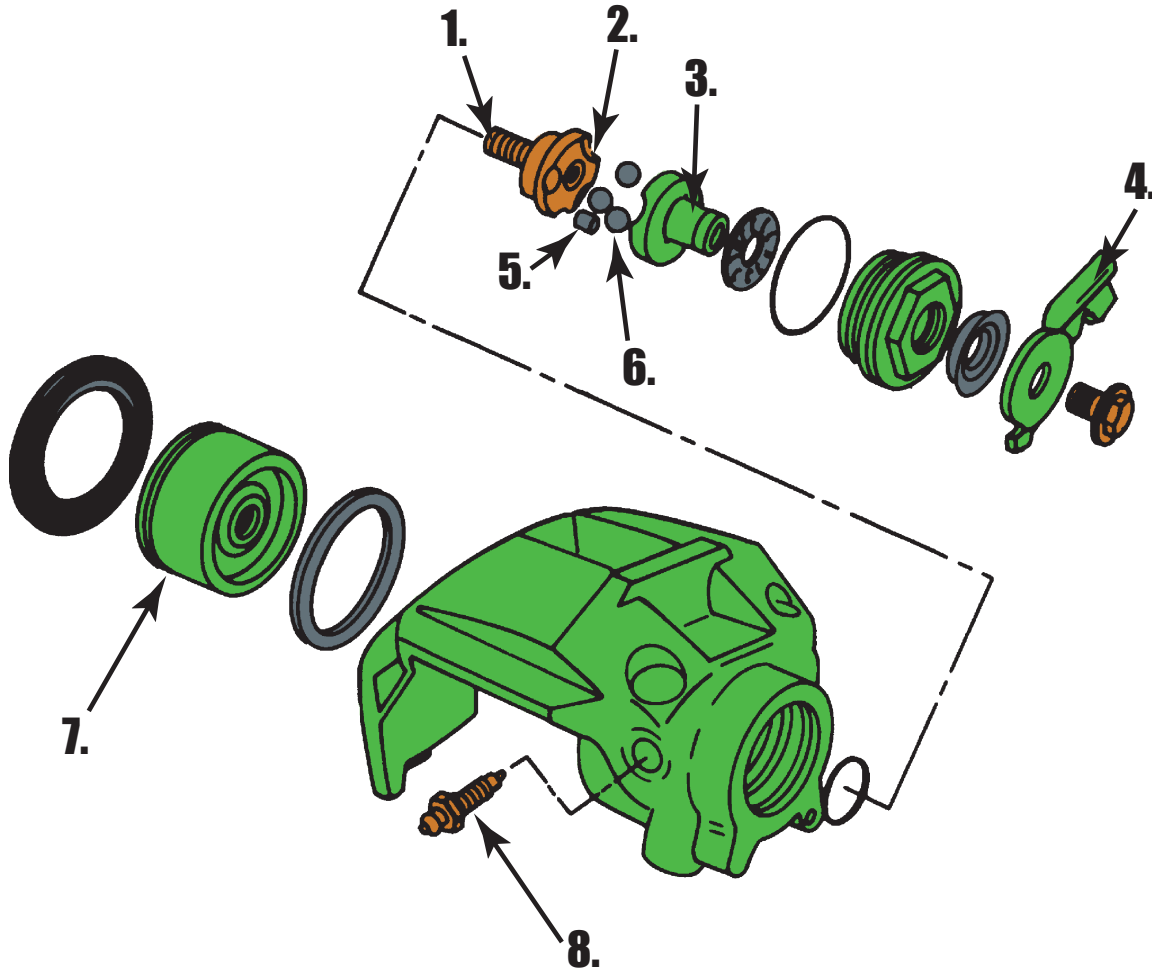
4. **CABLE END**

5. **LOCK NUT**

6. **ADJUSTING NUT**

A5 Part ID Worksheet

Ford Rear Caliper Ball and Ramp Type Components



1. THRUST SCREW

2. RAMP

3. OPERATING SHAFT

4. ACTUATING LEVER

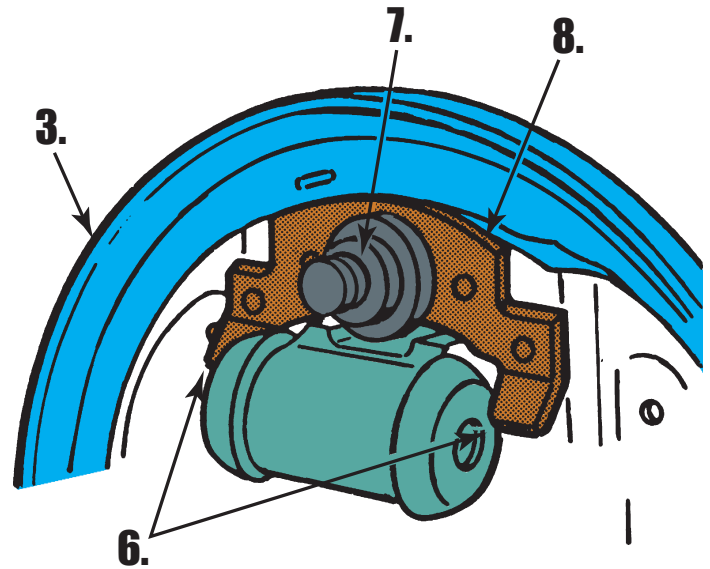
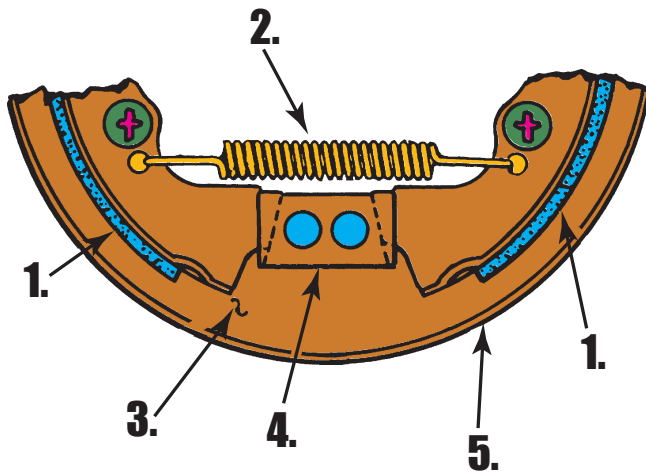
5. PIN

6. BALL

7. PISTON AND ADJUSTER ASSEMBLY

8. BLEEDER SCREW

A5 Part ID Worksheet Drum Brake Components



1. BRAKE SHOE

2. RETURN SPRING

3. BACKING PLATE

4. ANCHOR

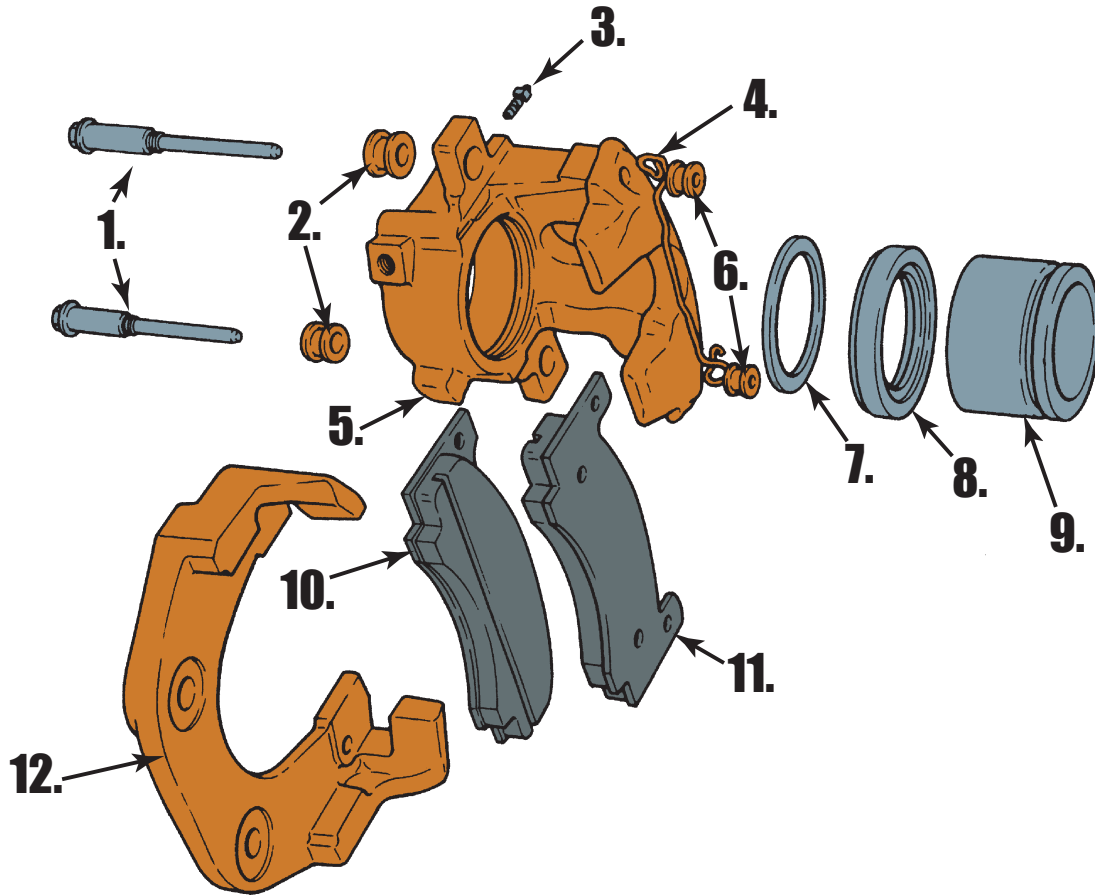
5. BRAKE DRUM

6. PISTON STOPS

7. SHOE ANCHOR

8. REINFORCING PLATE

A5 Part ID Worksheet Disc Brake Components



1. PIN

2. INNER BUSHING

3. BLEEDER SCREW

4. ANTI-RATTLE SPRING

5. CALIPER

6. OUTER BUSHING

7. SEAL

8. BOOT

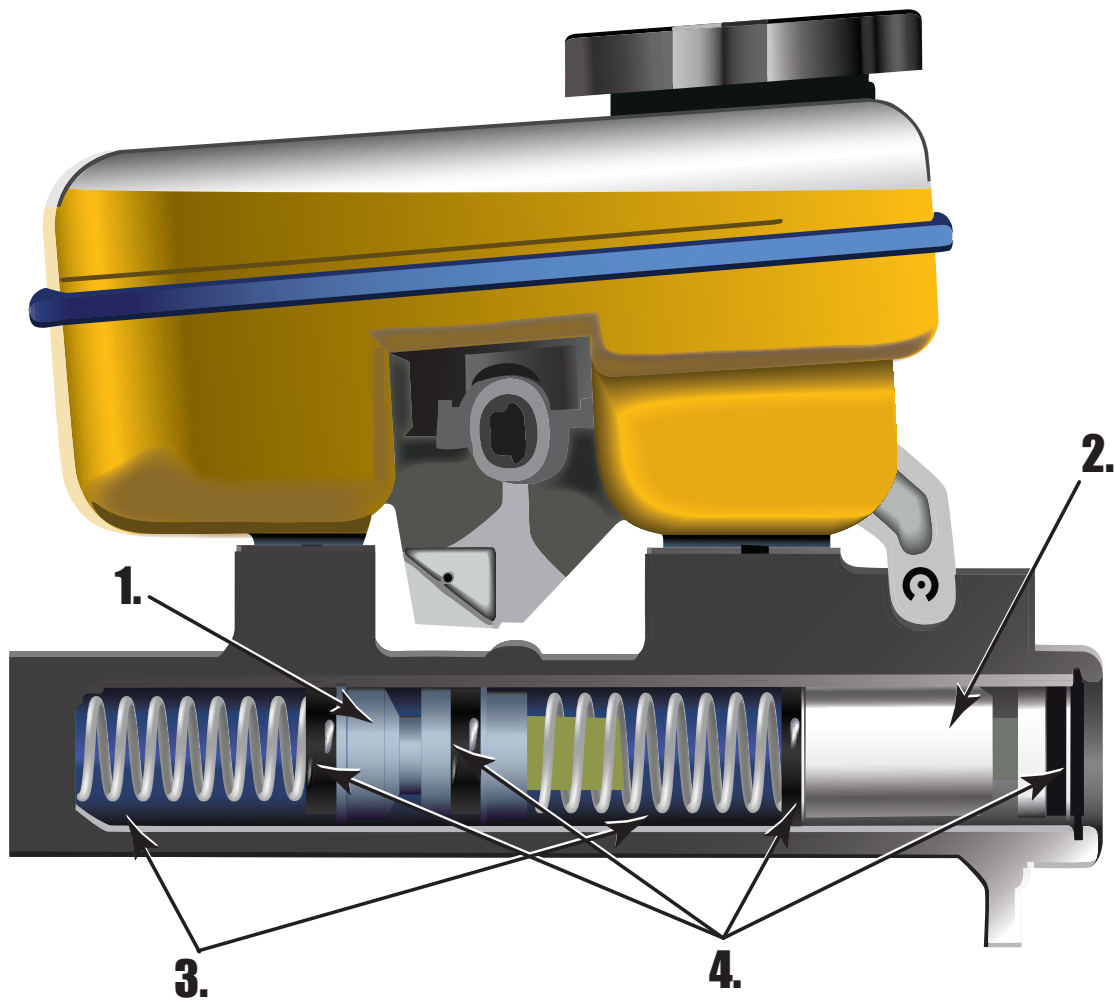
9. PISTON

10. INBOARD SHOE AND
LINING

11. OUTBOARD SHOE AND
LINING

12. ADAPTER

A5 Part ID Worksheet Master Cylinder Components



1. SECONDARY PISTON

3. PRESSURE CHAMBERS

2. PRIMARY PISTON

4. SEALS

Name: _____

A5 Part ID Worksheet Brake Pedal Components

