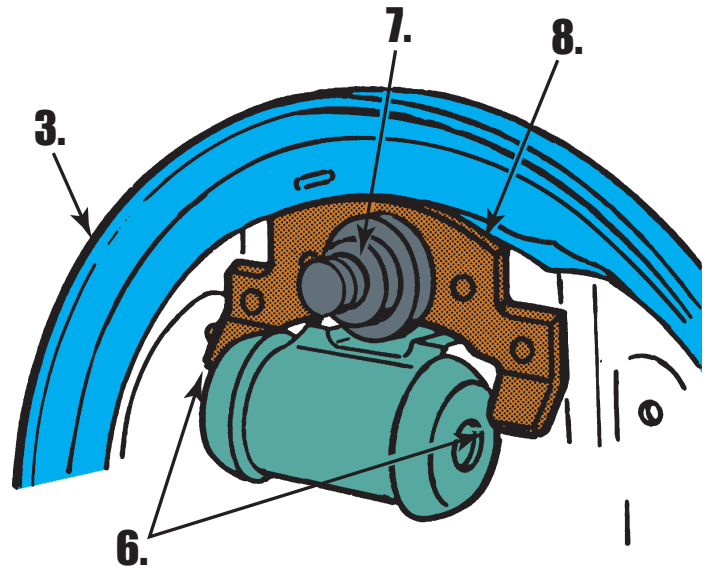
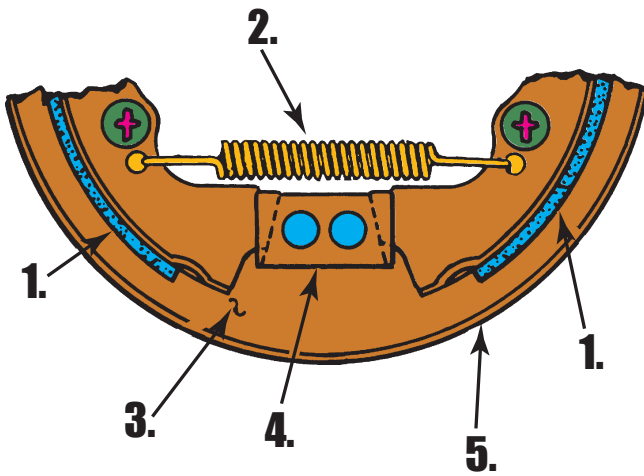


Name: _____

A5 Part ID Worksheet Drum Brake Components



1. _____

2. _____

3. _____

4. _____

5. _____

6. _____

7. _____

8. _____