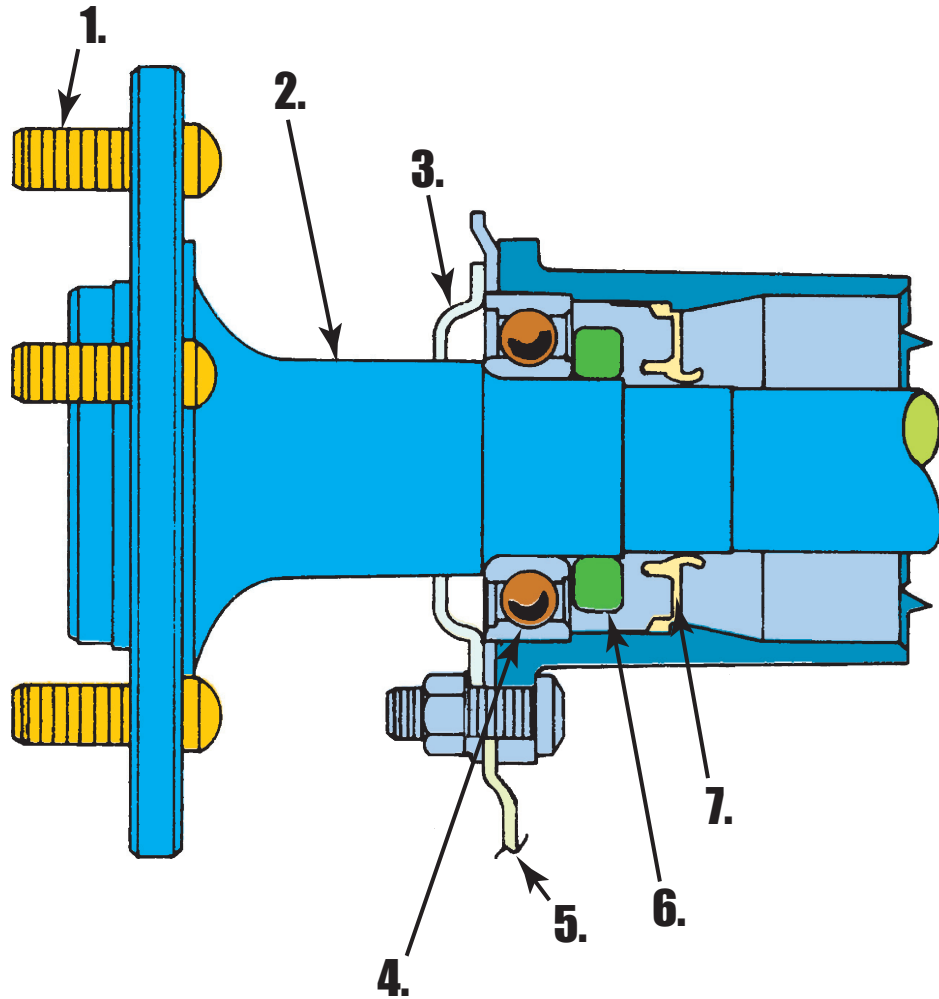


Name: _____

A3 Part ID Worksheet Rear Axle Bearing



1. _____

5. _____

2. _____

6. _____

3. _____

7. _____

4. _____