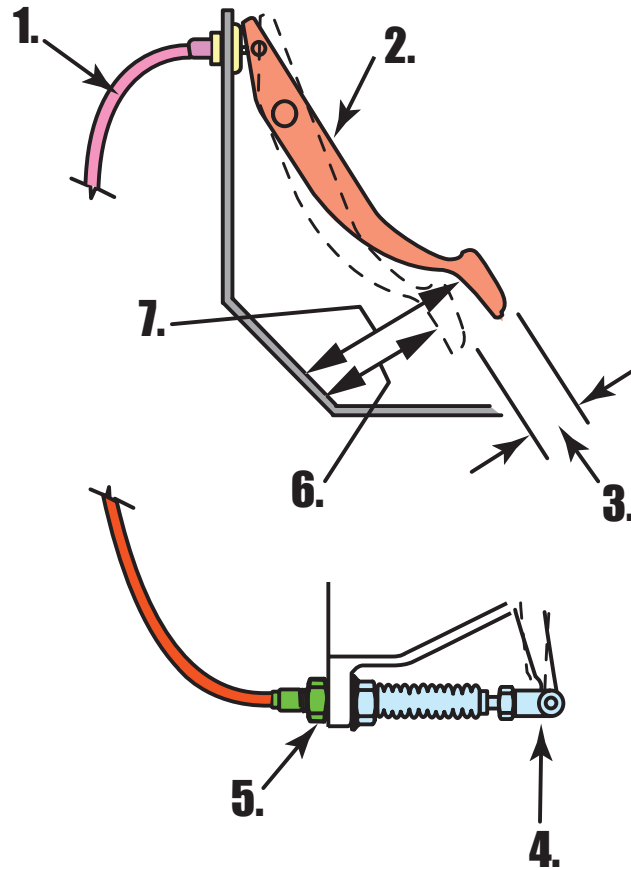


A3 Part ID Worksheet Clutch Cable Operation & Adjustment



1. CLUTCH CABLE HOUSING

5. CUTCH CABLE ADJUSTING NUT

2. CLUTCH PEDAL

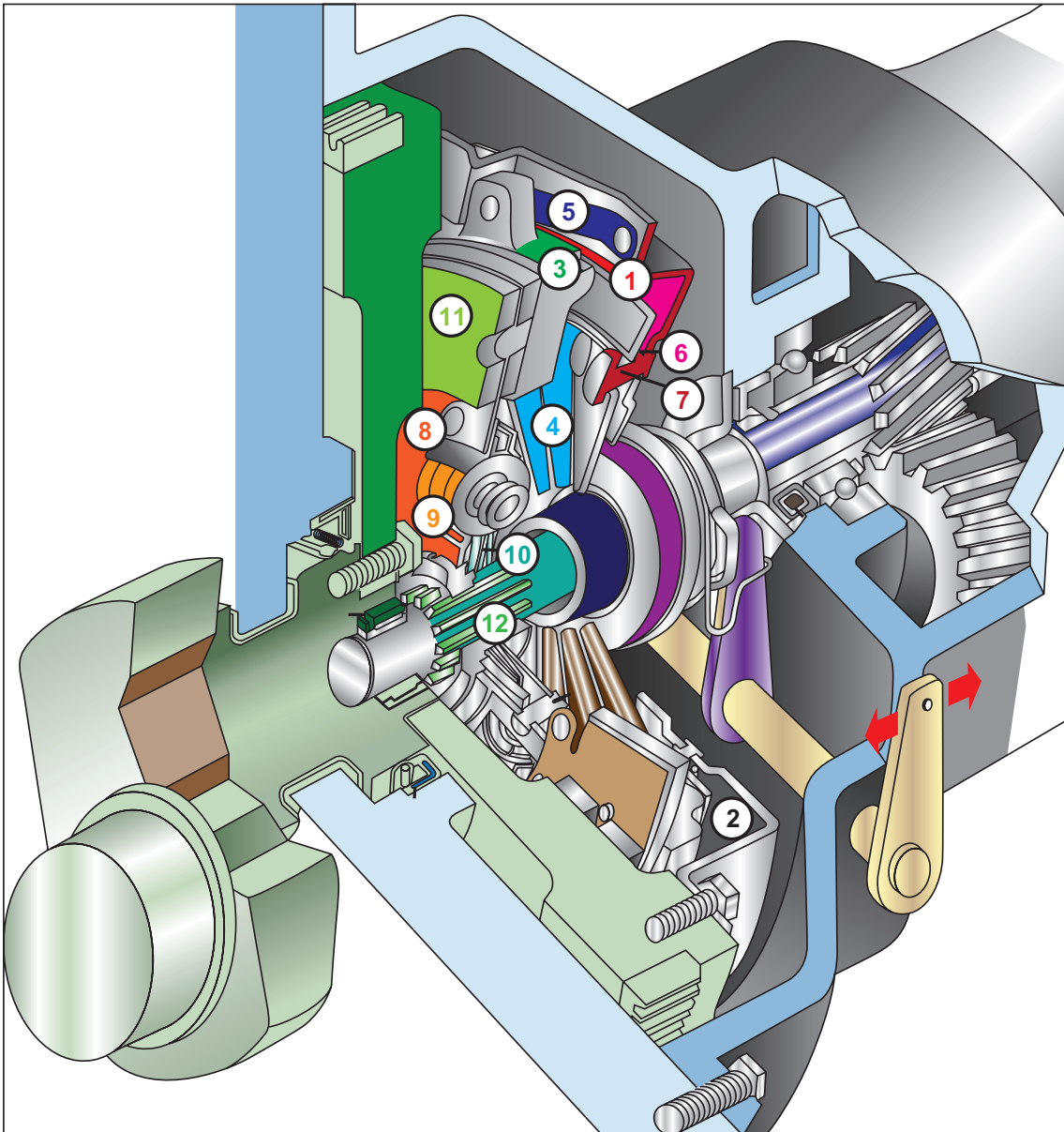
6. DISENGAGEMENT HEIGHT

3. FREE TRAVEL

7. PEDAL FREE HEIGHT

4. FREE PLAY

A3 Part ID Worksheet Clutch Assembly

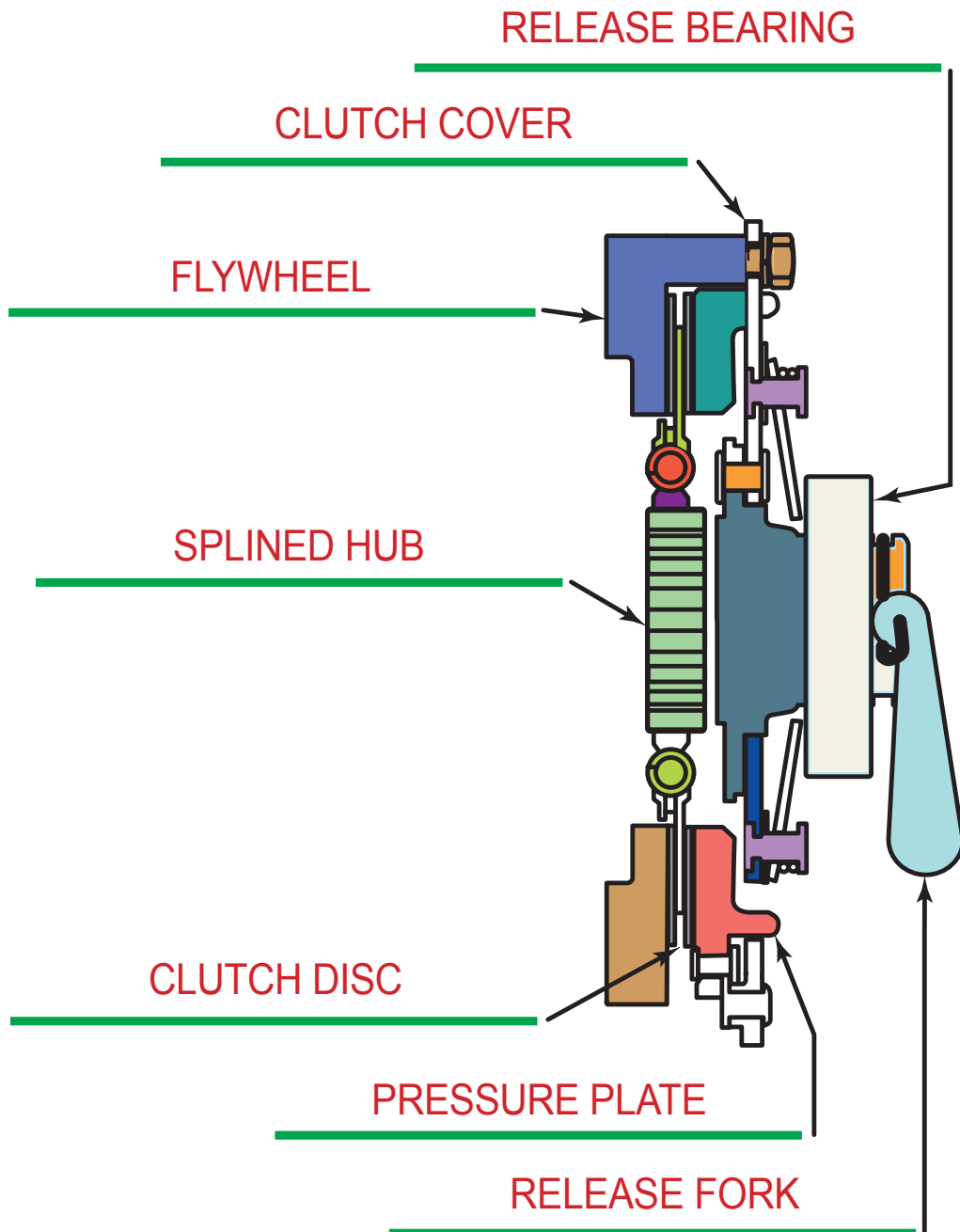


- ① CLUTCH PRESSURE PLATE
- ② CLUTCH COVER
- ③ PRESSURE PLATE
- ④ DIAPHRAGM SPRING
- ⑤ LEAF SPRINGS/STRAPS
- ⑥ PIVOT RING

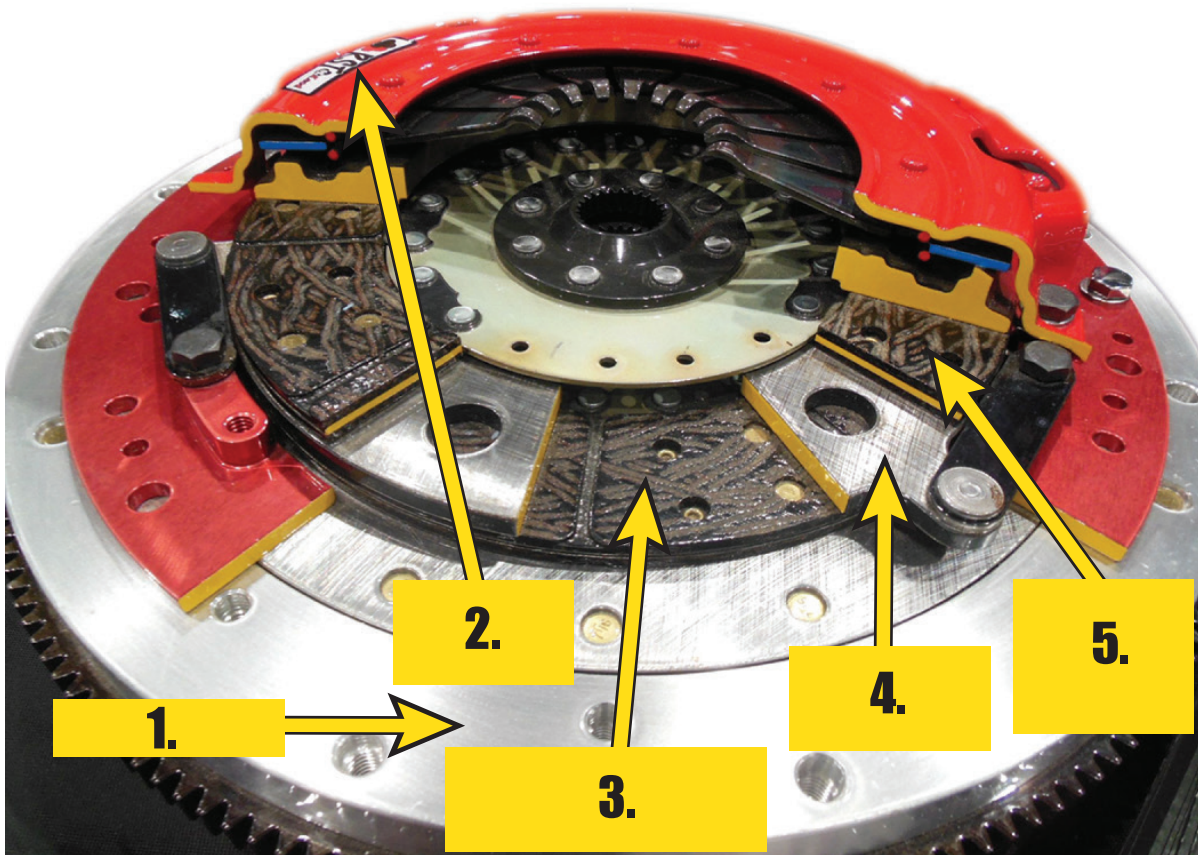
- ⑦ DIAPHRAGM RIVET
- ⑧ DISC PLATE
- ⑨ TORSION DAMPER
- ⑩ FRICTION DEVICE
- ⑪ CLUTCH FANG
- ⑫ HUB

A3 Part ID Worksheet

Clutch Cover Pressure Plate Assembly



A3 Part ID Worksheet Double Disc Clutch Assembly



1. FLYWHEEL

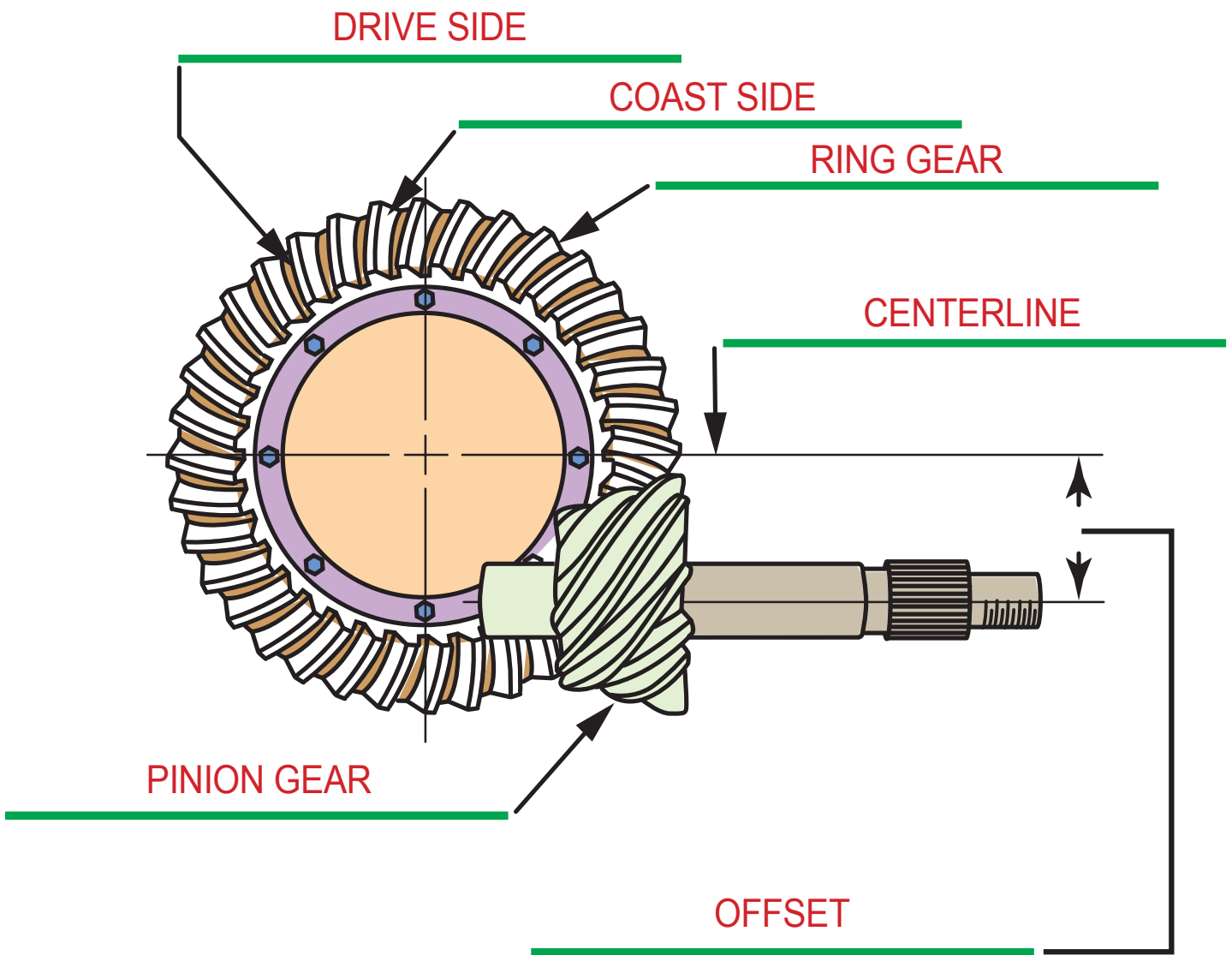
2. CLUTCH COVER

3. FRONT CLUTCH DISC

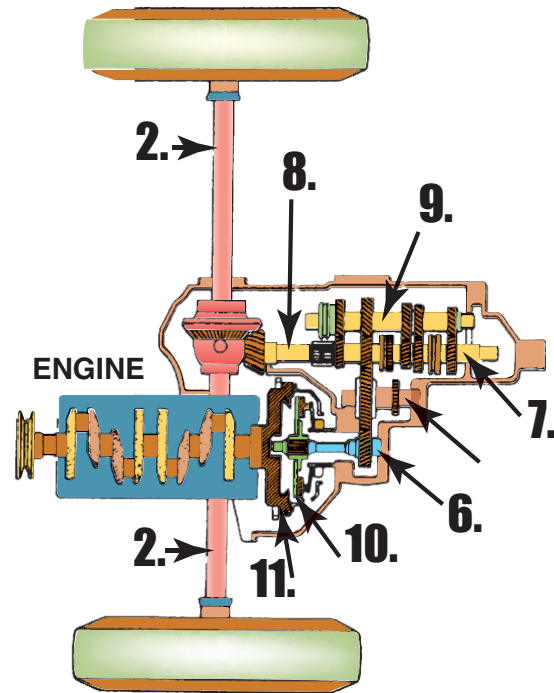
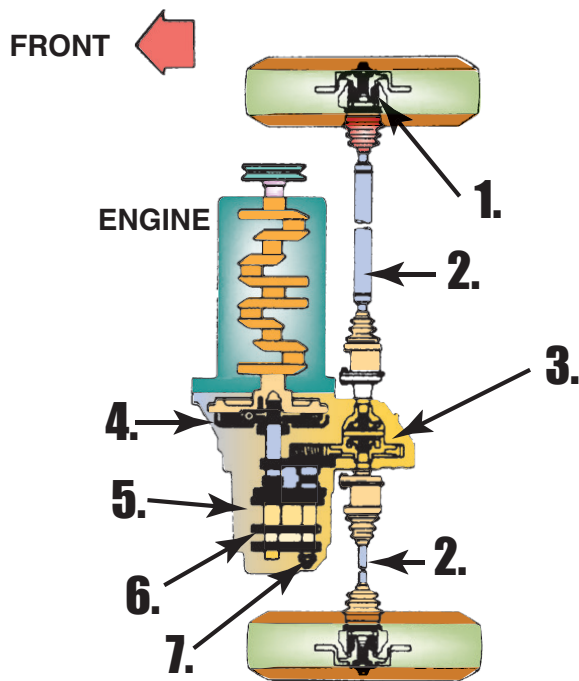
4. FLOATER PLATE

5. REAR CLUTCH DISC

A3 Part ID Worksheet Hypoid Gearset



A3 Part ID Worksheet Transverse Engines



1. FRONT AXLE

2. DRIVESHAFT

3. DIFFERENTIAL

4. CLUTCH

5. TRANSAXLE

6. INPUT SHAFT

7. OUTPUT SHAFT

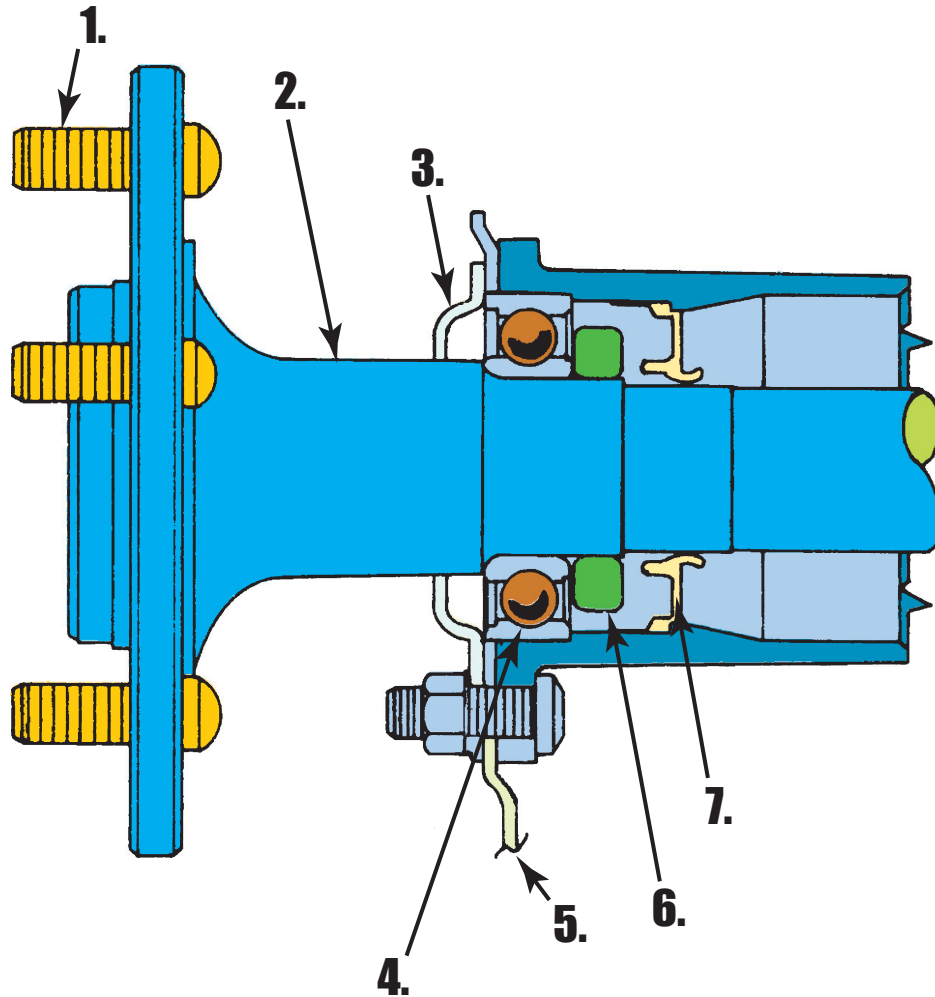
8. DRIVE PINION

9. COUNTER GEAR

10. CLUTCH DISC

11. FLYWHEEL

A3 Part ID Worksheet Rear Axle Bearing



1. WHEEL STUD

5. BRAKE BACKING PLATE

2. AXLE SHAFT

6. BEARING RETAINER RING

3. RETAINER PLATE

7. GREASE SEAL

4. WHEEL BEARING