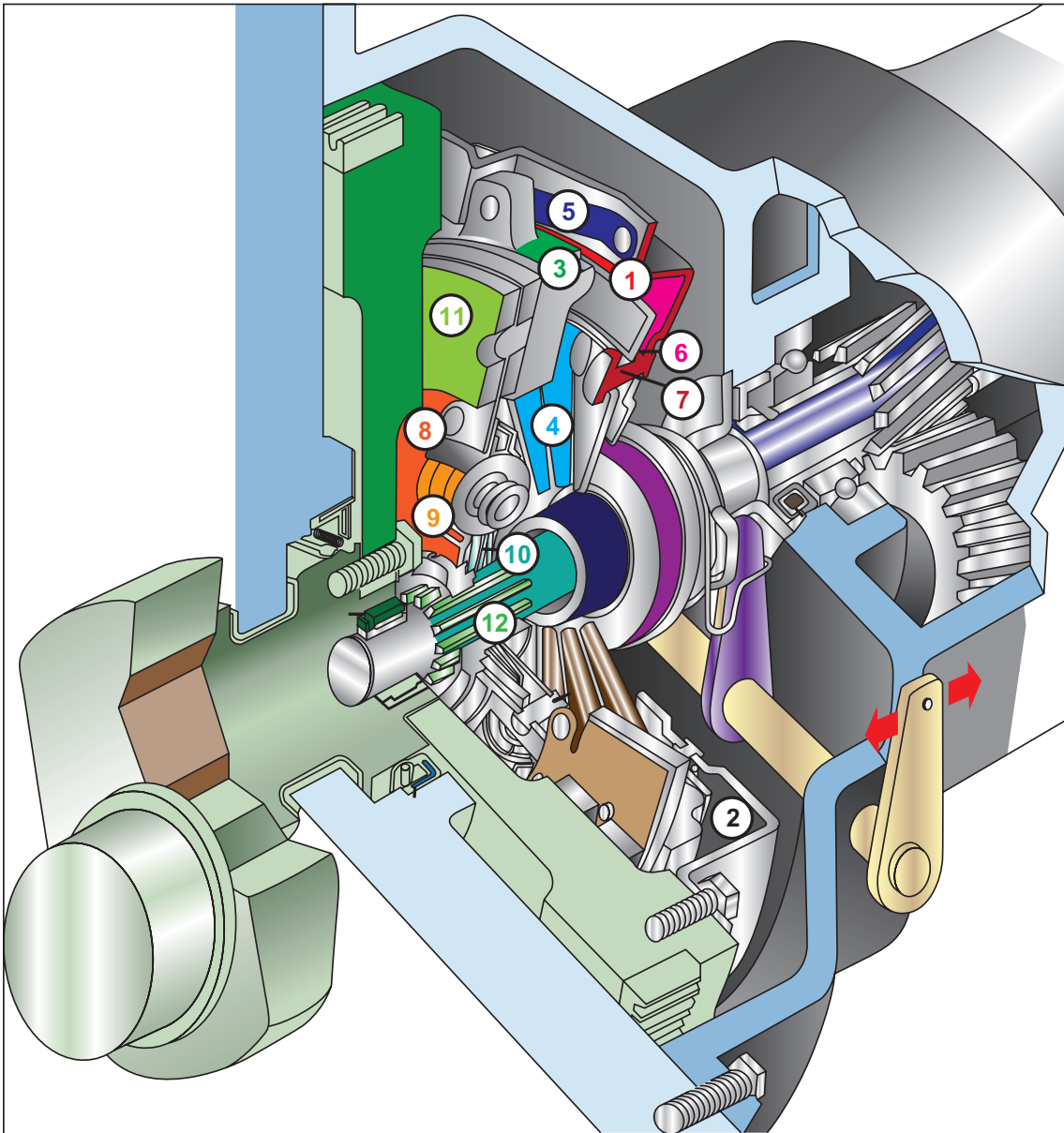


Name: _____

A3 Part ID Worksheet Clutch Assembly



- ① _____
- ② _____
- ③ _____
- ④ _____
- ⑤ _____
- ⑥ _____

- ⑦ _____
- ⑧ _____
- ⑨ _____
- ⑩ _____
- ⑪ _____
- ⑫ _____