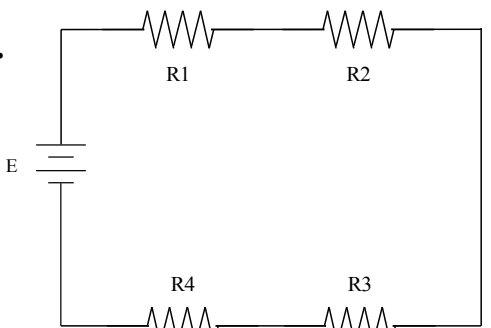


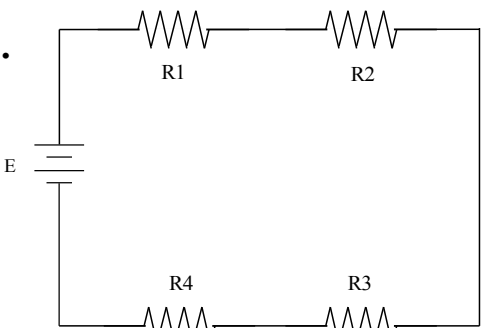
Series Circuit Task Sheet #3

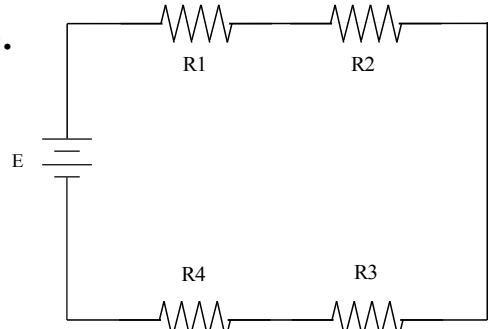
Meets ASE Task: (A6-A-2) P-1 Diagnose Electrical/Electronic Integrity for Series, Parallel, and Series-Parallel Circuits Using Principles of Electricity (Ohm's Law).

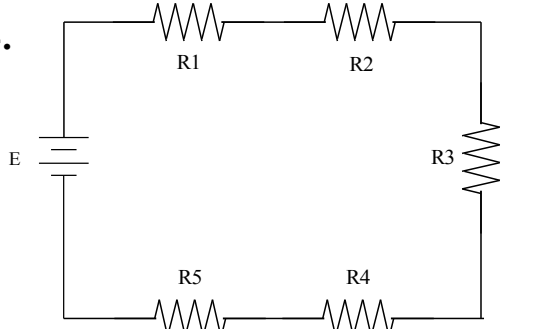
Name _____ Date _____ Time on Task _____

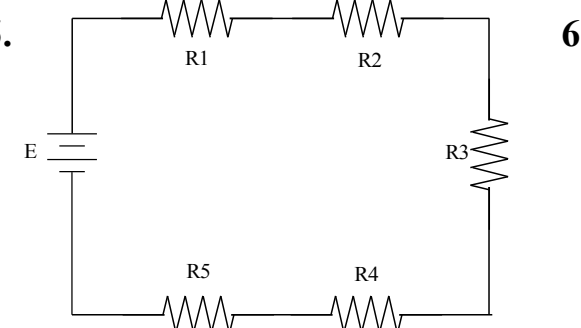
Make/Model/Year _____ VIN _____ Evaluation: 4 3 2 1

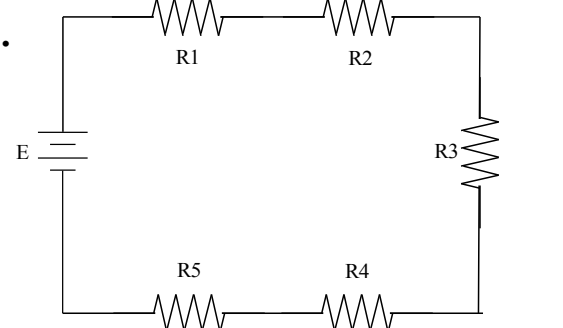
1. 
E = _____ R2 = 1 ohm
I_T = 6 amperes R3 = 1 ohm
R1 = 1 ohm R4 = 1 ohm

2. 
E = _____ R2 = 1 ohm
I_T = 3 amperes R3 = 0.5 ohms
R1 = 0.5 ohms R4 = 1 ohm

3. 
E = 4 volts
I_T = _____
R_T = 3 ohms

4. 
E = 12 volts R2 = _____ R5 = 1 ohm
I_T = 1 amperes R3 = 4 ohms
R1 = 2 ohm R4 = 3 ohms

5. 
E = 24 volts R2 = 0.5 ohms R5 = 0.25 ohms
I_T = 12 amperes R3 = _____
R1 = 0.5 ohms R4 = 0.5 ohms

6. 
E = 24 volts R2 = 1 ohm R5 = 2 ohms
I_T = 3 amperes R3 = 2 ohms
R1 = 2 ohms R4 = _____