

# Engine Diagnosis

**Meets ASE Task:** (A8-B-3) P-1, (A8-B-6) P-1, (A8-A-8) P-1 Retrieve and record stored OBD II diagnostic trouble codes; clear codes.

Name \_\_\_\_\_ Date \_\_\_\_\_ Time on Task \_\_\_\_\_

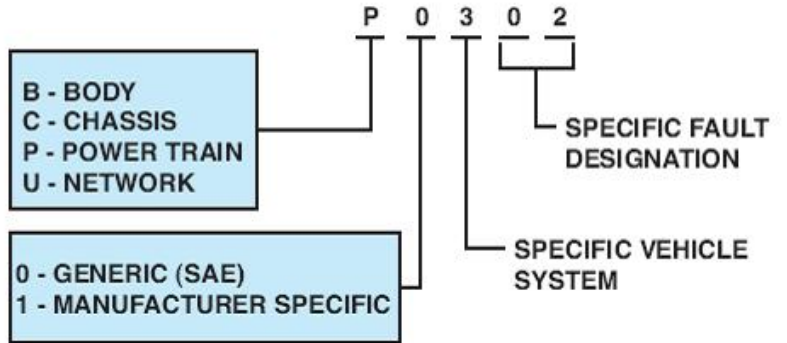
Make/Model/Year \_\_\_\_\_ VIN \_\_\_\_\_ Evaluation: 4 3 2 1

\_\_\_\_\_ 1. Check service information for the specified method for retrieving diagnostic trouble codes on the OBD II vehicle being serviced.

\_\_\_\_\_  
\_\_\_\_\_

\_\_\_\_\_ 2. Set a diagnostic trouble code by unplugging a component that is checked by the comprehensive component monitor (CCM), such as the throttle position sensor.

EXAMPLE: P0302 = CYLINDER #2 MISFIRE DETECTED



\_\_\_\_\_ 3. Retrieve and record the stored diagnostic trouble code (DTC).

Which code(s) was set? \_\_\_\_\_

\_\_\_\_\_ 4. Using specified testing procedures, what system is at fault? \_\_\_\_\_

\_\_\_\_\_

\_\_\_\_\_ 5. What is the needed action? \_\_\_\_\_

\_\_\_\_\_

\_\_\_\_\_