

Blower Motor Diagnosis

Meets ASE Task: (A7-D-1) P-1 Inspect and test A/C blower motor and circuit; perform needed action.

Name _____ Date _____ Time on Task _____

Make/Model/Year _____ VIN _____ Evaluation: 4 3 2 1

_____ 1. Locate the blower motor schematic and determine the following information:

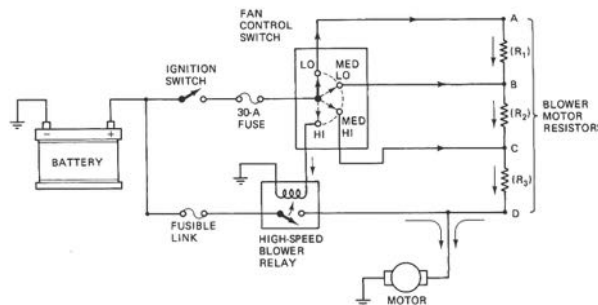
A. Describe the location _____

B. Is the blower motor accessible from inside the vehicle or from under the hood?

C. List the wire colors and their gauge:

Power = _____

Ground = _____



_____ 2. List the specified testing procedure: _____

_____ 3. How are the various speeds controlled?

_____ Resistor pack

_____ Electronic controller

_____ Other (describe) _____

_____ 4. What fuse number (label) and amperage rating are used for the blower motor?

A. Fuse number (label) _____

B. Fuse rating _____

_____ 5. Describe the location of the ground(s) for the blower motor circuit. _____

_____ 6. Measure the current draw of the blower motor on high speed.

Amperage = _____ (normal blower motor amperage draw is about 12-14 amperes)

_____ 7. Based on the test results, what is the needed action? _____