

# OBD II Diagnostic Trouble Codes

**Meets NATEF Task:** (A8-B-2) P-1, (A8-B-5) P-1 Retrieve and record stored OBD II diagnostic trouble codes; clear codes.

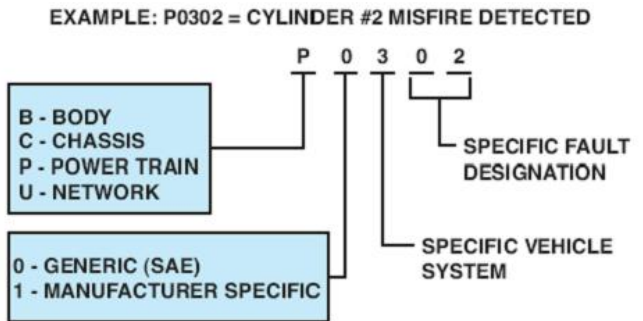
Name \_\_\_\_\_ Date \_\_\_\_\_ Time on Task \_\_\_\_\_

Make/Model/Year \_\_\_\_\_ VIN \_\_\_\_\_ Evaluation: 4 3 2 1

\_\_\_\_\_ 1. Check service information for the specified method for retrieving diagnostic trouble codes on the OBD II vehicle being serviced.

\_\_\_\_\_  
\_\_\_\_\_

\_\_\_\_\_ 2. Set a diagnostic trouble code by unplugging a component that is check by the comprehensive component monitor (CCM), such as the throttle position sensor.



\_\_\_\_\_ 3. Retrieve and record the stored diagnostic trouble code (DTC).

Which code(s) was set? \_\_\_\_\_

\_\_\_\_\_ 4. Check the service information for the specified method to use to erase (clear) the DTCs.

\_\_\_\_\_

\_\_\_\_\_ 5. Erase (clear the DTCs).

\_\_\_\_\_ 6. Verify that the DTC has been cleared.