

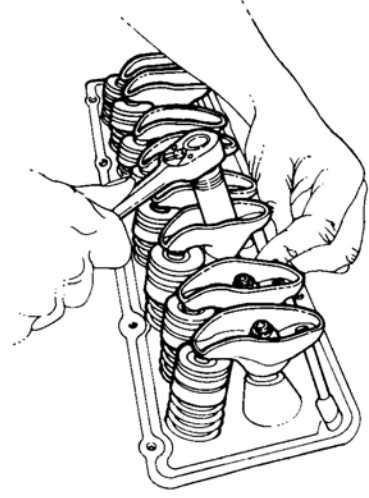
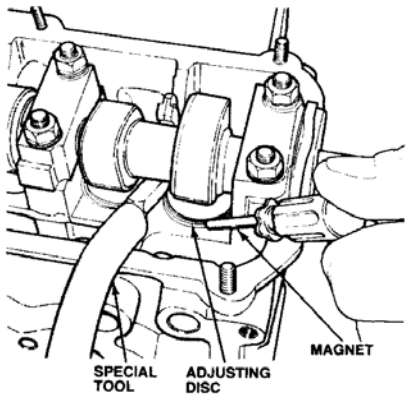
Valve Adjustment

Meets NATEF Task: (A1-B-4) Adjust valves on engines with mechanical or hydraulic lifters.
(P-3)

Name _____ Date _____ Time on Task _____

Make/Model/Year _____ VIN _____ Evaluation: 4 3 2 1

_____ 1. Check service information and determine the specified procedure to follow to adjust the valves. List the procedure:



_____ 2. Compare the original valve clearance or adjustment to the specified clearance.

		Original	Specified
Cylinder #1	Intake	_____	_____
	Exhaust	_____	_____
Cylinder #2	Intake	_____	_____
	Exhaust	_____	_____
Cylinder #3	Intake	_____	_____
	Exhaust	_____	_____
Cylinder #4	Intake	_____	_____
	Exhaust	_____	_____
Cylinder #5	Intake	_____	_____
	Exhaust	_____	_____
Cylinder #6	Intake	_____	_____
	Exhaust	_____	_____
Cylinder #7	Intake	_____	_____
	Exhaust	_____	_____
Cylinder #8	Intake	_____	_____
	Exhaust	_____	_____