

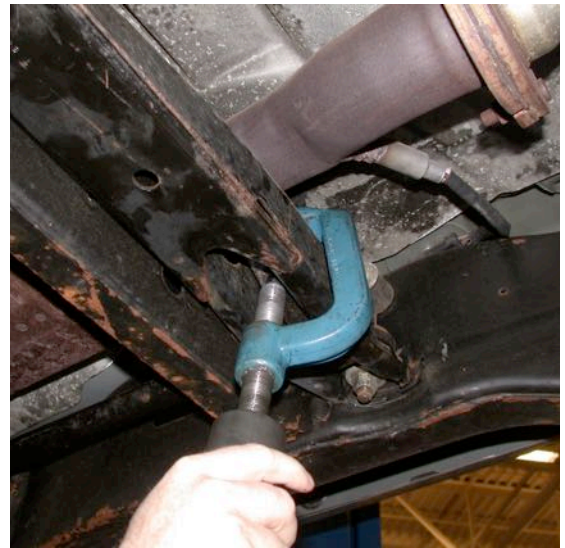
Torsion Bar

Meets NATEF Task: (A4-C-8) Remove, inspect, install, and adjust suspension system torsion bars; inspect mounts. (P-3)

Name _____ Date _____ Time on Task _____

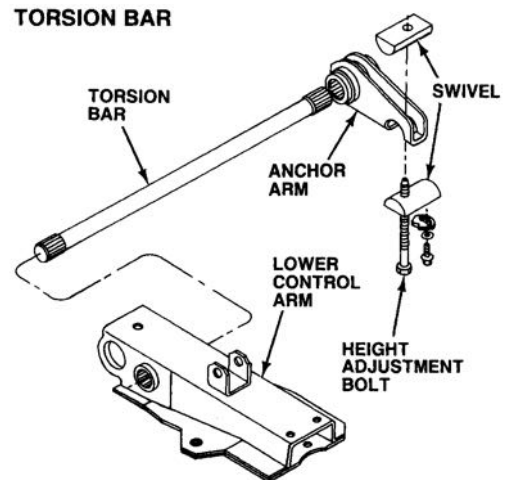
Make/Model/Year _____ VIN _____ Evaluation: 4 3 2 1

_____ 1. Check the service information for the specified removal and reinstallation procedure.



_____ 2. List the tools needed.

_____ 3. Check the service information and describe the proper ride height adjustment procedure.



_____ 4. Inspect the torsion bar mounts.

OK ____ NOT OK ____

Describe the faults and needed action.
