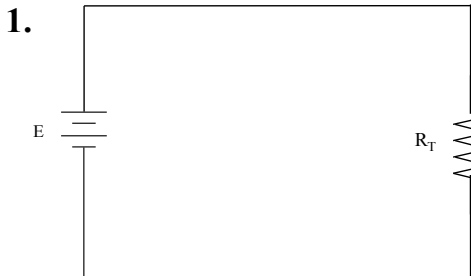


Name \_\_\_\_\_ Date \_\_\_\_\_ Time on Task \_\_\_\_\_

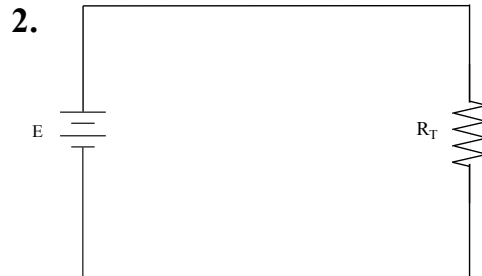
Make/Model/Year \_\_\_\_\_ VIN \_\_\_\_\_ Evaluation: 4 3 2 1

## Series Circuit Worksheet #1

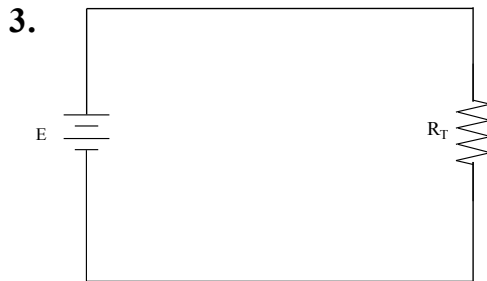
**Meets NATEF Task: (A6-A-2)** Diagnose electrical/electronic integrity for series, parallel, and series-parallel circuits using principles of electricity. (Ohm's Law).



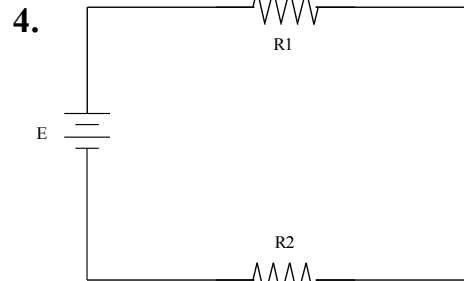
$E = 12 \text{ volts}$   
 $I_T = 3 \text{ amperes}$   
 $R_T = \underline{\hspace{2cm}}$



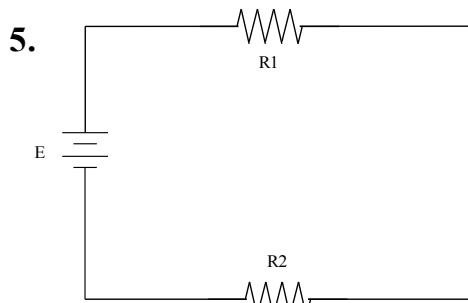
$E = 12 \text{ volts}$   
 $I_T = \underline{\hspace{2cm}}$   
 $R_T = 3 \text{ ohms}$



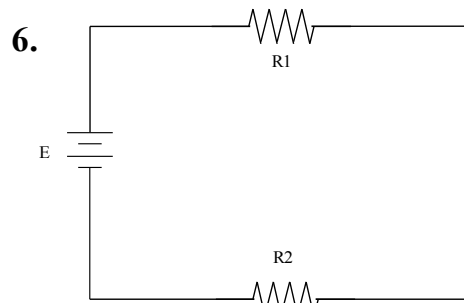
$E = \underline{\hspace{2cm}}$   
 $I_T = 3 \text{ amperes}$   
 $R_T = 4 \text{ ohms}$



$E = 12 \text{ volts}$       $R_2 = 1 \text{ ohm}$   
 $I_T = \underline{\hspace{2cm}}$   
 $R_1 = 1 \text{ ohm}$



$E = \underline{\hspace{2cm}}$       $R_2 = 3 \text{ ohms}$   
 $I_T = 2 \text{ amperes}$   
 $R_1 = 3 \text{ ohms}$



$E = 12 \text{ volts}$       $R_2 = \underline{\hspace{2cm}}$   
 $I_T = 3 \text{ amperes}$   
 $R_1 = 3 \text{ ohms}$