

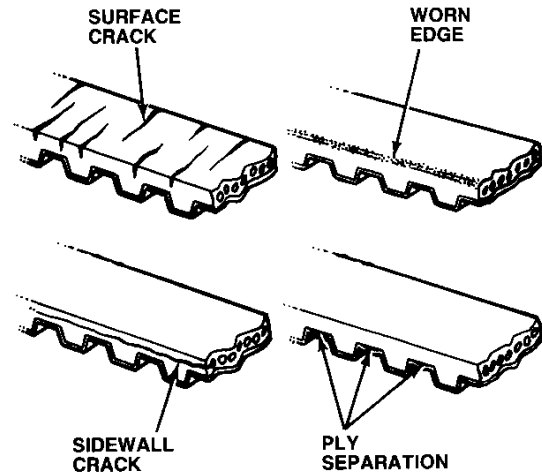
Remove and Replace Timing Belt

Meets NATEF Task: (A1-B-1, A8-F-2) Remove and replace timing belt; verify correct camshaft timing. (P-1)

Name _____ Date _____ Time on Task _____

Make/Model/Year _____ VIN _____ Evaluation: 4 3 2 1

_____ 1. Check service information for the exact timing belt replacement procedure as specified by the vehicle manufacturer, including torque specifications.



_____ 2. Inspect the timing belt for wear or faults.

_____ 3. List the parts recommended to be replaced when replacing the timing belt. (Usually includes the water pump, camshaft seals, crankshaft seals, and often the tensioner[s].)

_____ 4. Describe the proper camshaft timing procedure. _____

_____ 5. What parts were inspected for wear? _____

_____ 6. What parts were replaced? _____

_____ 7. Verify the correct camshaft timing. _____
