

# Scan Tool Diagnosis

**Meets NATEF Task:** (A8-B-1) Retrieve and record stored OBD II diagnostic trouble codes; clear codes. (P-1)

Name \_\_\_\_\_ Date \_\_\_\_\_ Time on Task \_\_\_\_\_

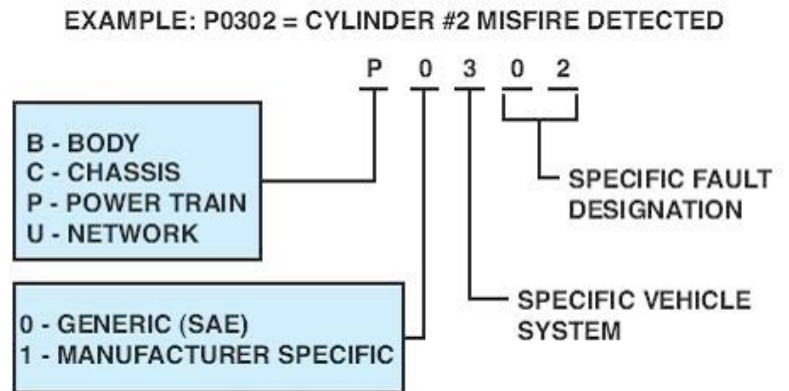
Make/Model/Year \_\_\_\_\_ VIN \_\_\_\_\_ Evaluation: 4 3 2 1

\_\_\_\_\_ 1. Check service information for the specified method for retrieving diagnostic trouble codes on the OBD II vehicle being serviced.

\_\_\_\_\_

\_\_\_\_\_

\_\_\_\_\_ 2. Set a diagnostic trouble code by unplugging a component that is checked by the comprehensive component monitor (CCM), such as the throttle position sensor.



\_\_\_\_\_ 3. Retrieve and record the stored diagnostic trouble code (DTC).

Which code(s) was set? \_\_\_\_\_

\_\_\_\_\_ 4. Using specified testing procedures, what system is at fault? \_\_\_\_\_

\_\_\_\_\_

\_\_\_\_\_ 5. Clear the codes. Describe the procedure used. \_\_\_\_\_

\_\_\_\_\_

\_\_\_\_\_