

Blower Motor Diagnosis

Meets NATEF Task: (A7-D-1) Inspect and test A/C blower motor and circuit; perform necessary action. (P-1)

Name _____ Date _____ Time on Task _____

Make/Model/Year _____ VIN _____ Evaluation: 4 3 2 1

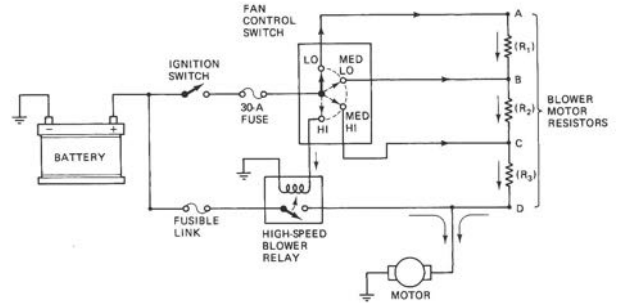
_____ 1. Locate the blower motor schematic and determine the following information:

- A. Describe the location _____
- B. Is the blower motor accessible from inside the vehicle or from under the hood?

C. List the wire colors and their gauge:

Power = _____

Ground = _____



_____ 2. List the specified testing procedure: _____

_____ 3. How are the various speeds controlled?

- _____ Resistor pack
- _____ Electronic controller
- _____ Other (describe) _____

_____ 4. What fuse number (label) and amperage rating are used for the blower motor?

- A. Fuse number (label) _____
- B. Fuse rating _____

_____ 5. Describe the location of the ground(s) for the blower motor circuit. _____

_____ 6. Measure the current draw of the blower motor on high speed.

Amperage = _____ (normal blower motor amperage draw is about 12-14 amperes)

_____ 7. Based on the test results, what is the necessary action? _____