

Accessory Drive Belt Replacement

Meets NATEF Task: (A1-D-4) Inspect, replace, and adjust drive belts, tensioners and pulleys; check pulley and belt alignment. (P-1)

Name _____ Date _____ Time on Task _____

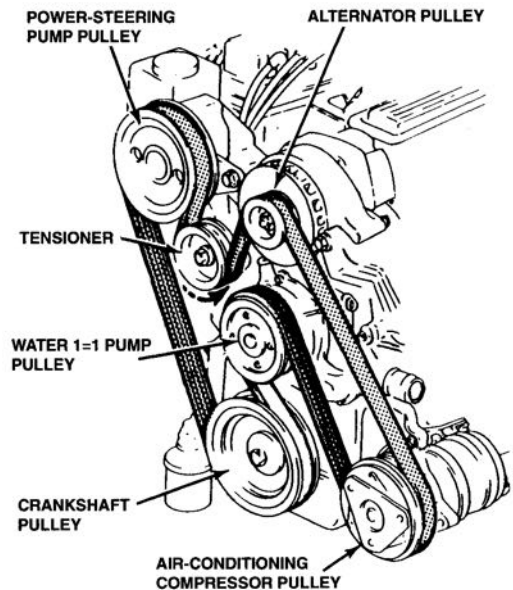
Make/Model/Year _____ VIN _____ Evaluation: 4 3 2 1

_____ 1. Check service information for the specified drive belt inspection and replacement procedures.

_____ 2. Inspect the drive belt(s).

_____ OK

_____ NOT OK (describe fault)



_____ 3. Remove and replace the drive belt(s) according to the vehicle manufacturer's recommended procedures.

Show the instructor removed drive belt(s)

Instructor OK _____

_____ 4. Carefully inspect pulleys and tensioner.

_____ OK

_____ NOT OK (describe fault) _____

_____ 5. Install replacement drive belt and check for proper alignment and tension.