

Connecting Rod Specification/Measurement

Meets NATEF Task: (A1-A-3) Research applicable vehicle and service information. (P-1)

Name _____ Date _____ Time on Task _____

Make/Model/Year _____ VIN _____ Evaluation: 4 3 2 1

_____ 1. Type of connecting rod.

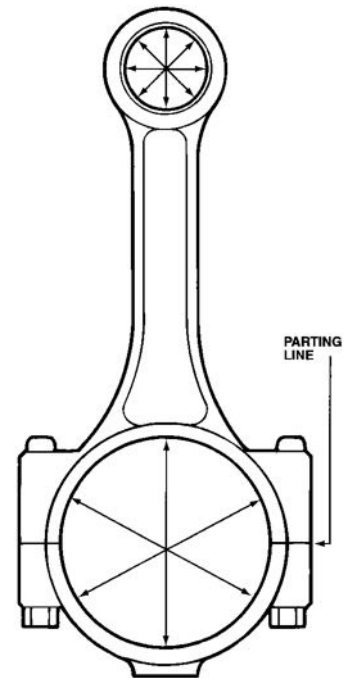
- _____ forged (wide parting line)
- _____ cast (narrow parting line)
- _____ powdered metal (smooth appearance)

_____ 2. Is the rod equipped with an oil squirt hole near the big end to help lubricate the cylinder well and piston pin?

Yes _____ No _____

_____ 3. Type of piston pin.

- _____ press fit in the rod
- _____ full floating (uses piston pin retainers)



_____ 4. Piston pin clearance specification: _____

_____ 5. Measured piston pin clearance in the piston: _____

OK _____ **NOT OK** _____

_____ 6. Connecting rod big end diameter specification: _____

_____ 7. Measure the connecting rod big end diameter: _____

OK _____ **NOT OK** _____