

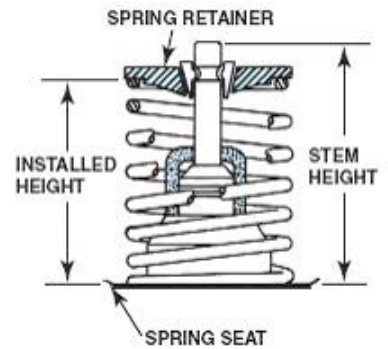
# Valve Spring Assembled Height

**Meets NATEF Task:** (A1-B-7) Check valve spring assembled height and valve stem height; determine necessary action. (P-3)

Name \_\_\_\_\_ Date \_\_\_\_\_ Time on Task \_\_\_\_\_

Make/Model/Year \_\_\_\_\_ VIN \_\_\_\_\_ Evaluation: 4 3 2 1

- \_\_\_\_\_ 1. Check service information for the specified assembled height and valve stem height.
- a. Specified assembled height = \_\_\_\_\_
  - b. Specified valve stem height = \_\_\_\_\_



\_\_\_\_\_ 2. Actual measured assembled and valve stem height:

	Assembled Height	Valve Stem Height
1	_____	_____
2	_____	_____
3	_____	_____
4	_____	_____
5	_____	_____
6	_____	_____
7	_____	_____
8	_____	_____
9	_____	_____
10	_____	_____
11	_____	_____
12	_____	_____
13	_____	_____
14	_____	_____
15	_____	_____
16	_____	_____

\_\_\_\_\_ 3. Based on the measurements and the recommendations stated in service information, what is the necessary action?

\_\_\_\_\_

\_\_\_\_\_

\_\_\_\_\_